

Part # 30037

VIKING ELEMENT

E-1300HS-30

 **MADE IN USA**



## Compatibility

Gasoline, diesel, biodiesel up to B20, ULSD (Ultra Low Sulfur Diesel), and industrial fluids such as lubrication oils, hydraulic oils, synthetic oils, and many solvents

## Features

- Replacement element
- Detects water and removes particulates like dirt, dust and rust
- For use with part# 40186, 40187, 40188, 40189, 40190, 40191

## Specifications



HYDROSORB MEDIA

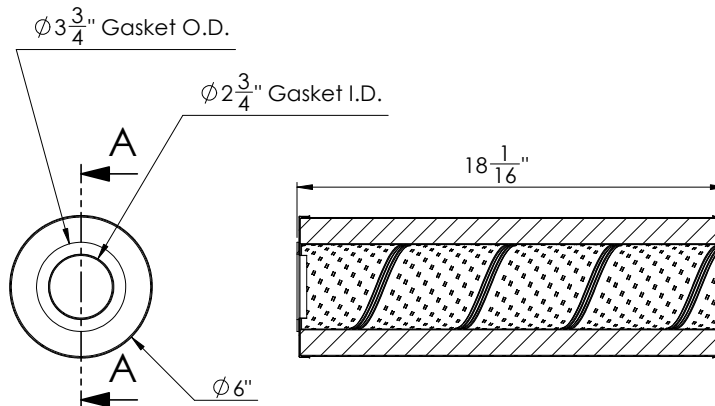
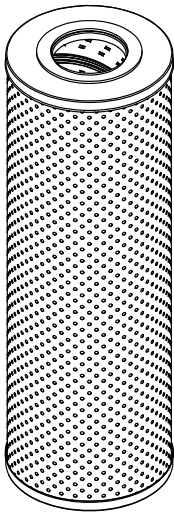
6" DIA. X 18 1/16" LENGTH

120 GPM MAX FLOW

150 PSI MAX WORKING PRESSURE

NOT FOR USE WITH AVIATION APPLICATIONS

\*ADDITIONAL INFORMATION AND MEASUREMENTS AVAILABLE UPON REQUEST.



☎ 844.447.7663    🌐 [www.cim-tek.com](http://www.cim-tek.com)

INFORMATION & PRICE SUBJECT TO CHANGE WITHOUT NOTICE  
REV. C 07.14.2022

