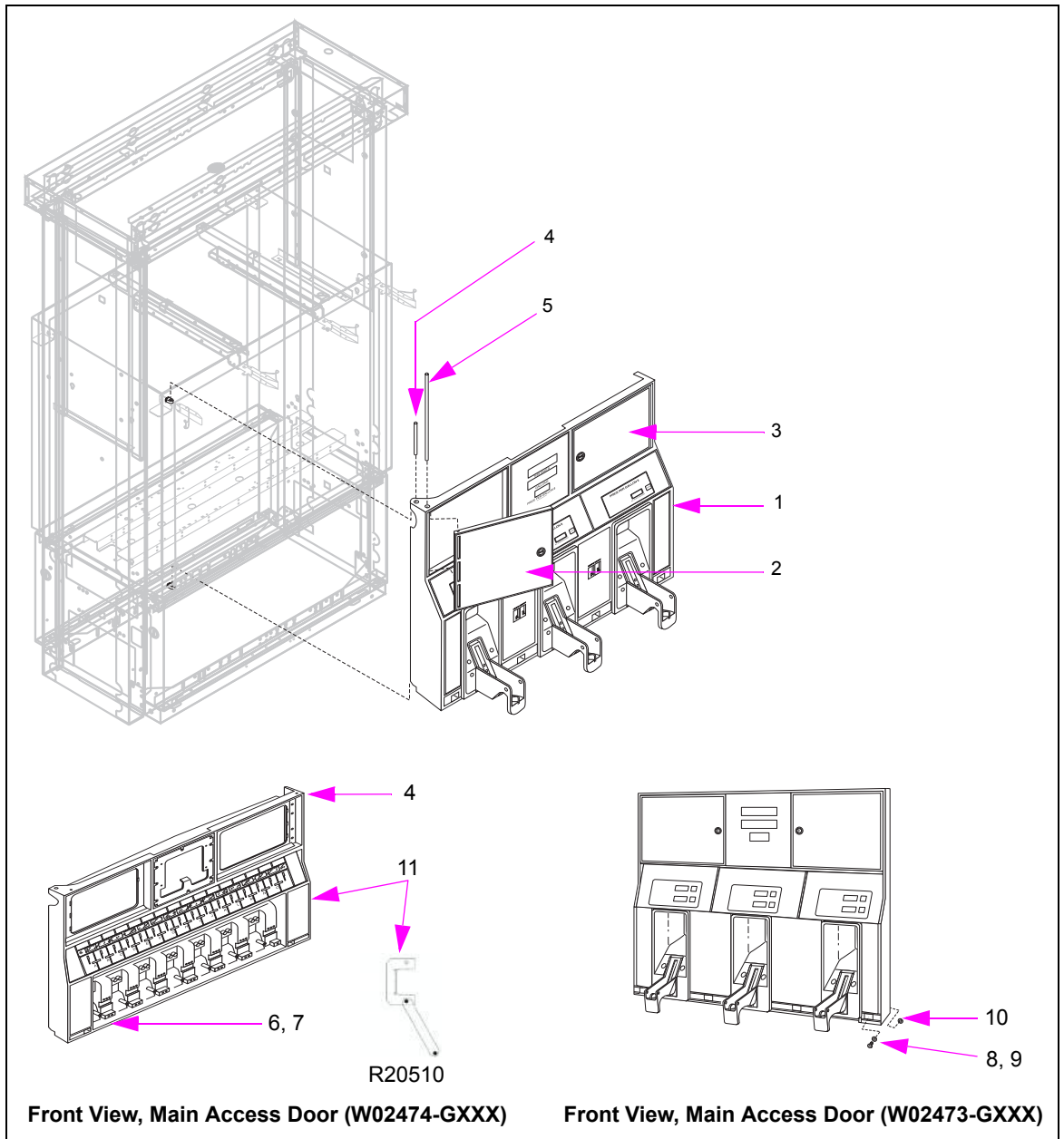


2 – Main Access Door Section

Main Door Access Assembly



Item #	Part Description	Current Part	Previous Part	Quantity
1	Main Access Door Assembly	Refer to "Main Access Door Section" on page 2-1.	-	1
2	Assembly, Left Access Door, Blank (includes hardware, lock, gasket, and so on) (see note 1)	T17498-G01	-	1
	• Single Line CRIND Americans with Disabilities Act (ADA)	T19727-G01	-	1
3	Assembly, Right Access Door (includes lock and gaskets) (see note 2)			
	• Black (Spare Parts Item)	T17626-G2	-	1
	• Black, with Alarm (for use with cash acceptor units) (Spare Parts Item)	T17626-G5	-	1
	• Gray (Spare Parts Item)	T17626-G7	-	1
	• Blue (Spare Parts Item)	T17626-G9	-	1
	• Black, with Pump Stop (Spare Parts Item)	T17626-G10	-	1
	• Black, with Pump Stop (for use with cash acceptor units) (obsolete, see note 5)	-	T17626-G11	1
	• Gray, with Pump Stop (Spare Parts Item)	T17626-G12	-	1
	• Black, with Call Button (Spare Parts Item)	T17626-G13	-	1
	• Black, with Call Button (for use with cash acceptor units) (Spare Parts Item)	T17626-G14	-	1
	• Gray, with Call Button (Spare Parts Item)	T17626-G15	-	1
	• Black, with Pump Stop and Call Button (Spare Parts Item)	T17626-G16	-	1
	• Black, with Pump Stop And Call Button (for use with cash acceptor units) (Spare Parts Item)	T17626-G17	-	1
• Gray, with Pump Stop and Call Button (Spare Parts Item)	T17626-G18	-	1	
4	Main Access Door Hinge Pin (upper)	R19177-01	R19212-02	1
5	Option Door Hinge Pin	R19024-02	R19024-01	2
6	O-ring, 7/32 X 11/32 X 1/16" (see note 6)	Q10066-09	-	1
7	Hinge Pin, Lower	R19176-01	-	1
8	Retaining Screw, Door, 1/4-20 X 2" Hexagonal-head	Q13292-40	Q11098-10	1
9	Flat Washer, 1/4"	Q11439-07	-	1
10	Screw Retainer, 1/4"	Q10922-02	-	1
11	Hinge Bracket and Linkage	R20510-G1	-	1
Not Shown				
-	Upper Main Door Gasket			
	• 48" Unit (gasket is 106" long)	Q12406-01	-	1
	• 36" Unit (gasket is 94-1/10" long) (see note 7)	Q12406-01	Q12406-03	1

Item #	Part Description	Current Part	Previous Part	Quantity
-	Lower Main Door Gasket			
	• 48" Unit (gasket is 38" long)	Q12406-02	-	1
	• 36" Unit (gasket is 26-1/10" long)	Q12406-04	-	1

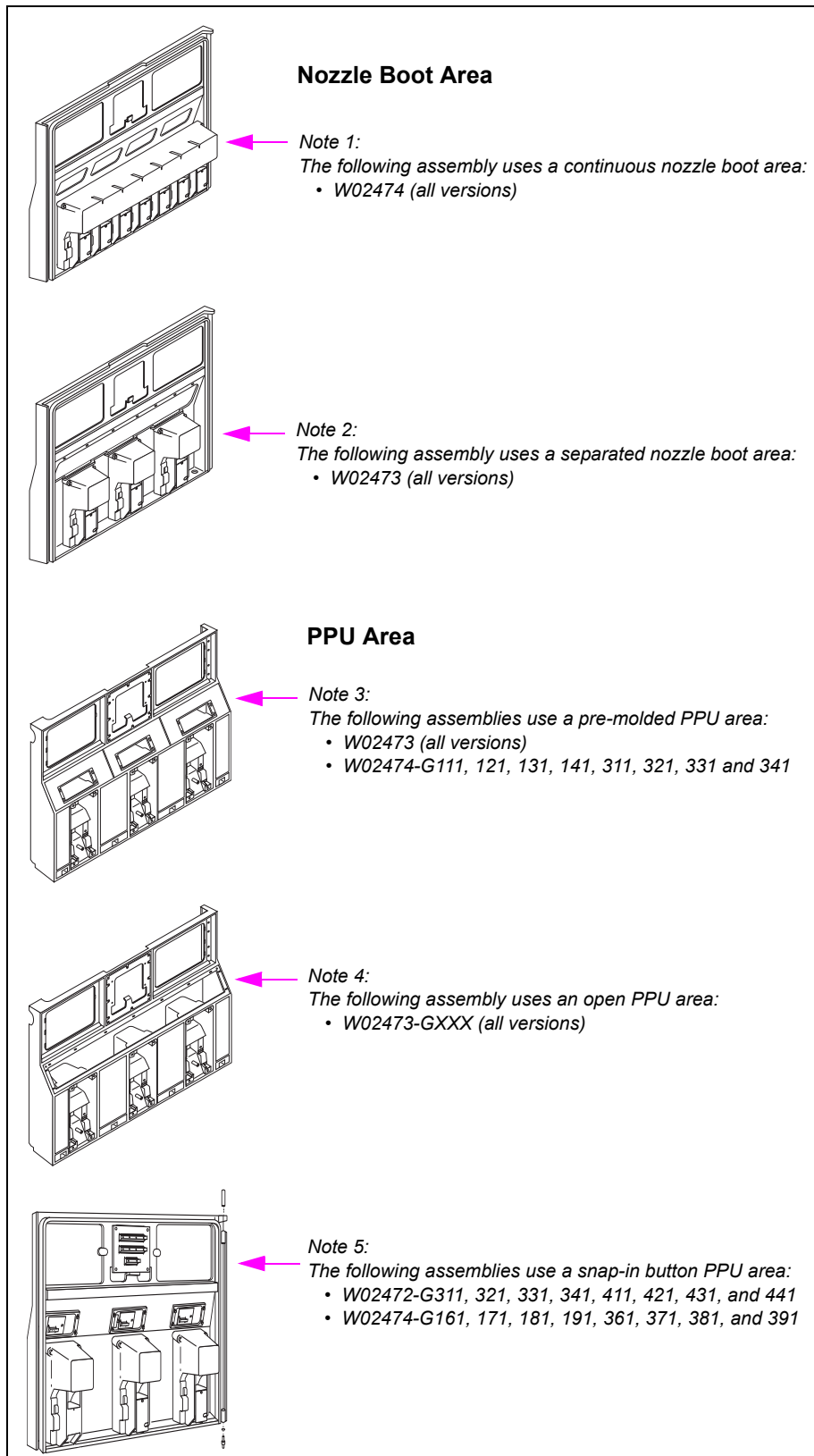
Notes:

1. Quantities per main access door.
2. For CRIND option doors, refer to PT-1736 *The Advantage/MPD/CRIND Card Reader Illustrated Parts Manual*. For additional option doors, refer to "[Pump Preset and Left Pump Stop Doors](#)" on page 2-6.
3. For pump stop and call button parts, refer to "[Right Main Display, Pump Stop, and Call Button Option Door](#)" on page 2-8.
4. All parts may not be available as spare parts.
5. No replacement.
6. O-ring (Q10066-09) was last purchased 1998. Contact a Gilbarco representative before placing order.
7. Gasket (Q12406-03) is replaced by Q12406-01.

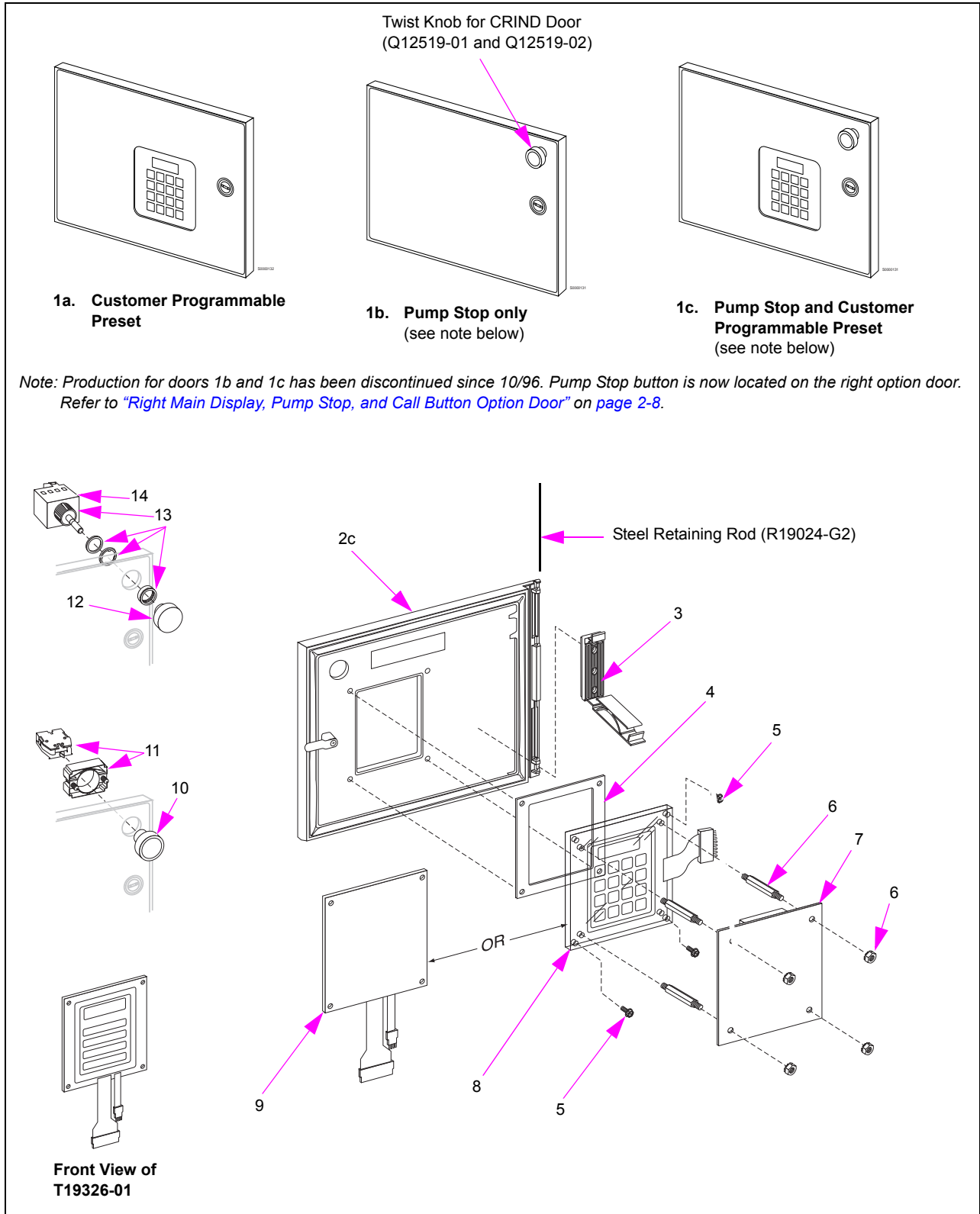
Main Access Door Assemblies

Unit Type	Color	Lighted Assembly?	Current Part	Previous Part
48" MPD 2-grade, 3-grade, and 6-hose Blender (see notes 1 and 3 on page 2-5)	Black	Yes	W02473-G11	W02473-G1
	Black	-	W02473-G211	-
	Gray (BP®)	Yes	W02473-G121	-
	Gray (BP)	-	W02473-G221	-
	Gray (Chevron®)	Yes	W02473-G131	-
	Gray (Chevron)	-	W02473-G231	-
	Blue	Yes	W02473-G141	-
	Blue	-	W02473-G241	-
48", 3-grade Price per Unit (PPU) (see notes 1 and 4 on page 2-5)	Black	Yes	W02474-G12	W02474-G2
	Black	-	W02474-G321	-
48", 4-grade PPU (see notes 1 and 4 on page 2-5)	Black	Yes	W02474-G13	W02474-G3
	Black	-	W02474-G331	-
	Gray (BP)	Yes	W02474-G14	W02474-G4
	Gray (BP)	-	W02474-G341	-
	Blue	Yes	W02474-G151	-
	Blue	-	W02474-G351	-
48" Selectable Blender (see notes 1 and 4 on page 2-5)	Black	Yes	W02474-G111 W02474-G11	W02474-G11 W02474-G1
	Black	-	W02474-G311	-
48" Blender (snap-in button design) (see notes 1 and 5 on page 2-5)	Black	Yes	W02474-G161	W02474-G16
	Black	-	W02474-G361	W02474 G36
	Gray (Chevron)	Yes	W02474-G171	W02474 G-17
	Gray (Chevron)	-	W02474-G371	-
	Gray (BP)	Yes	W02474-G181	W02474-G18
	Gray (BP)	-	W02474-G381	W02474-G38
	Blue	Yes	W02474-G191	W02474-G19
	Blue	-	W02474-G391	W02474-G39
36" Dual or Quad (see notes 2 and 3 on page 2-5)	Black	Yes	W02472-G111	W02472-G11
	Gray (Chevron)	Yes	W02472-G131	W02472-G13
	Blue	Yes	W02472-G141	W02472-G14
	Black	-	W02472-G211	W02472-G21
	Gray (Chevron)	-	W02472-G231	W02472-G23
	Blue	-	W02472-G241	W02472-G24
36" Blender (snap-in button design) (see notes 2 and 5 on page 2-5)	Black	Yes	W02472-G311	-
	Black	-	W02472-G411	-
	Gray (BP)	Yes	W02472-G321	-
	Gray (BP)	-	W02472-G421	-
	Gray (Chevron)	Yes	W02472-G331	-
	Gray (Chevron)	-	W02472-G431	-
	Blue	Yes	W02472-G341	-
	Blue	-	W02472-G441	-

Main Access Door Assemblies (Continued)



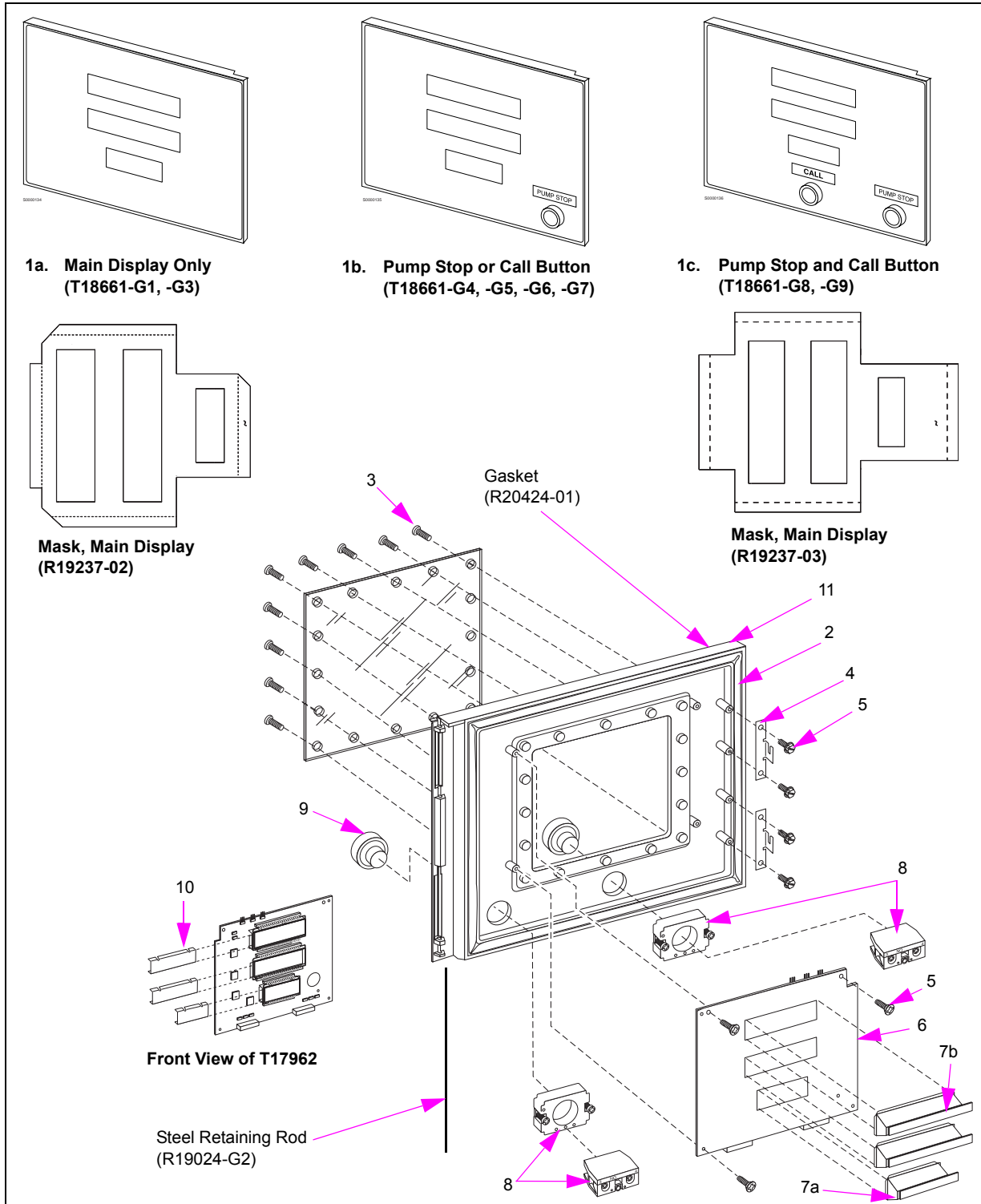
Pump Preset and Left Pump Stop Doors



Item #	Part Description	Current Part	Previous Part	Quantity
1	Option Door Assembly (see note 1)			
1a	• Customer Programmable Preset (Spare Parts Item)	T17734-G2	-	1
1b	• Pump Stop [see note 2 (Spare Parts Item)]	-	T17626-G3	1
1c	• Pump Stop and Customer Programmable Preset (see note 2) (obsolete, see note 6)	-	T17734-G4	1
1d	• Pump Stop and Five-button Preset Option Door [not shown (see note 2)] (Spare Parts Item)	-	T17734-G6	1
2	Doors (door only) (see note 1)			
2a	• Door, Customer Programmable Preset or Pump Stop and Five-button Preset (not shown) (obsolete, see note 6)	-	T17501-01	1
2b	• Door, Pump Stop Option Only (not shown) (obsolete, see note 6)	-	T18028-01	1
2c	• Door, Pump Stop and Customer Programmable Preset Option, Black (obsolete, see note 6)	-	T18028-02	1
3	Cable Clamp	Q13459-01	Q11577-02	1
4	Programmable Pump Preset (PPP) Gasket	R19508-01	-	1
5	Screw, #6-20 X 1/2"	Q11677-26	-	4
6	Nut with External Lock Washer, #6-32 (see note 5)	Q12068-02	-	4
7	Pump Preset Display Printed Circuit Board [PCB (see note 5)]	T17328-G1	-	1
8	Pump Preset Switch/Faceplate Assembly (see note 5)	R20266-G3	-	1
9	Switch, 5 Button Preset/Pump Stop Switch (see note 5)	T19326-01	-	1
10	Switch, Contact Block and Base Assembly (see notes 2 and 3)	Q13453-01	-	1
Not Shown				
-	Pump Preset Display Assembly (includes parts 6 - 8)	R20267-G5	R20267-G4	1
<p><i>Notes:</i></p> <ol style="list-style-type: none"> Quantities per option door. For 36" models, Production discontinued 10/96. Pump stop button now located on right option door. For 48" models, refer to "Main Access Door Assemblies" on page 2-4 or refer to "Right Main Display, Pump Stop, and Call Button Option Door" on page 2-8. Parts still current on other assemblies. These items are not sold individually. They are sold as an assembly only. All parts may not be available as spare parts. No replacement. 				

Right Main Display, Pump Stop, and Call Button Option Door

Note: Used on 36-inch units only. For 48-inch unit right option doors, refer to "Main Access Door Assemblies" on page 2-4. For 48-inch unit, refer to "Main Display Area" on page 2-11.



Item #	Part Description	Current Part	Previous Part	Quantity
1	Right Main Display Option Door Assembly (see note 1)			
	• Black (Spare Parts Item)	T18661-G1	-	1
	• Gray (Chevron) (Spare Parts Item)	T18661-G3	-	1
	• Black (used with pump stop button) (obsolete, see note 8)	-	T18661-G4	1
	• Gray (used with pump stop button) (Spare Parts Item)	T18661-G5	-	1
	• Black (used with call button) (Spare Parts Item)	T18661-G6	-	1
	• Gray (used with call button) (Spare Parts Item)	T18661-G7	-	1
	• Black (used with pump stop and call button) (Spare Parts Item)	T18661-G8	-	1
• Gray (used with pump stop and call button) (Spare Parts Item)	T18661-G9	-	1	
2	Main Display Option Door (door only)			
	• Black	T18651-G1	-	1
	• Gray	T18651-G2	-	1
	• Black (used with pump stop or call button)	T18651-G11	-	1
	• Gray (used with pump stop or call button)	T18651-G12	-	1
	• Black (used with pump stop and call button)	T18651-G21	-	1
	• Gray (used with pump stop and call button)	T18651-G22	-	1
3	Screw, #6-19 X 3/8"	Q12011-13	-	16
4	Door Latch	R19244	-	2
5	Screw, #6-20 X 3/8"	Q11677-24	-	7
6	Main Display PCB (see note 3)	T17962-G1	-	1
7	Reflector Assembly			
7a	• 0.7"	T17622-G5	-	1
7b	• 1.0"	T17622-G6	-	2
8	Contact Block and Base Assembly			
	• Pump Stop	Q13453-01	-	(see note 1)
	• Call Button	Q13453-06	-	(see note 1)
9	Push Button			
	• Pump Stop Button (red)	Q13453-02	-	(see note 1)
	• Call Button (green)	Q13453-08	-	(see note 1)
10	Main Display Filter Kit (includes two 1.0" filters and one 0.7" filter)			
	• Orange	K93685-G9	-	1
	• White (no longer available) (obsolete, see note 8)	-	K93685-G10	1
	• Yellow (no longer available, use K93685-G9)	K93685-G9	K93685-G11	1

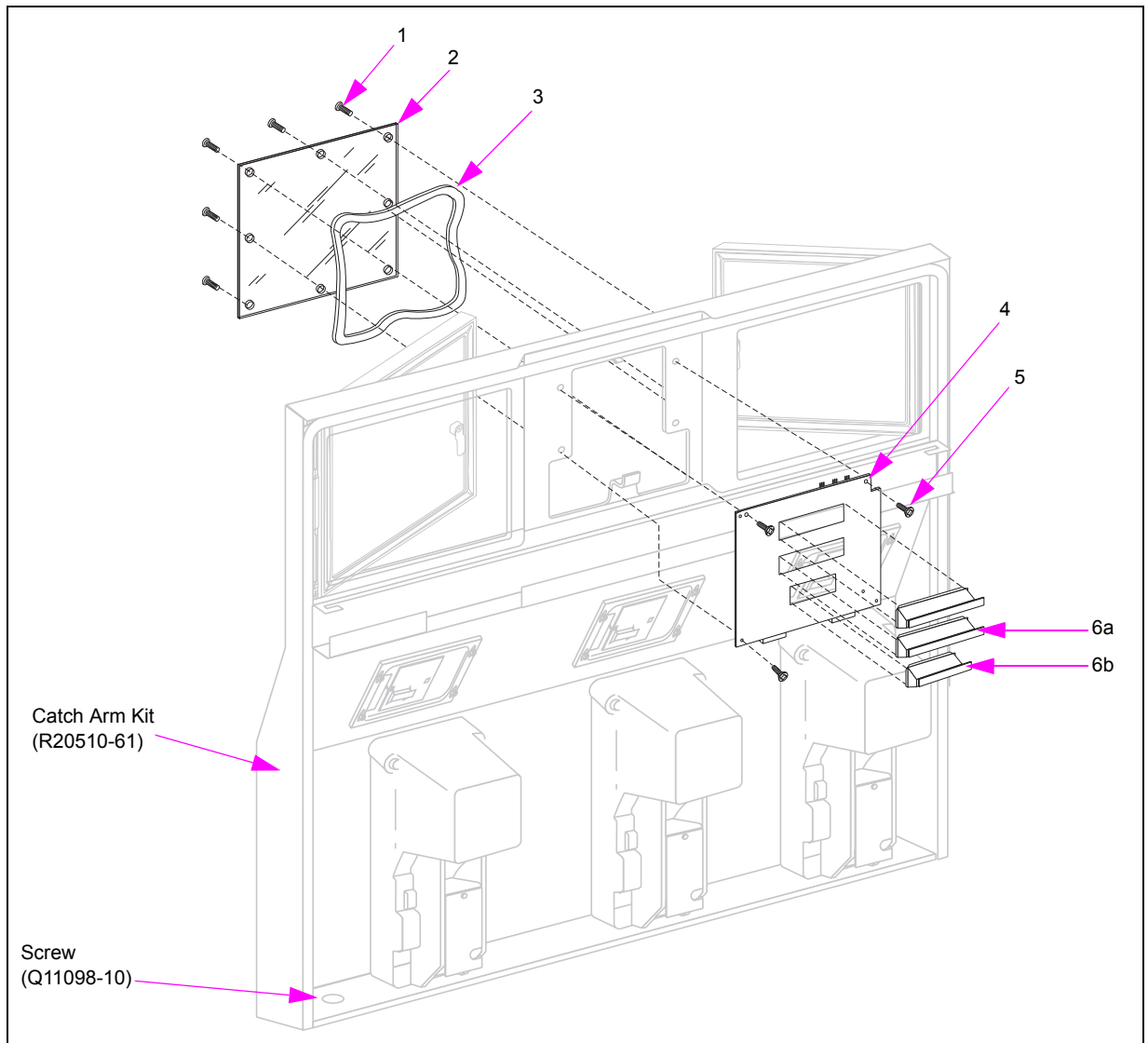
Item #	Part Description	Current Part	Previous Part	Quantity
11	Door Number (blank door)	T18662-G1	-	1
12	Mask, Main Display	R19237-02 R19237-03	-	1

Notes:

1. Quantities per option door.
2. Main Display Option Door Assembly (T18661-GX) includes items 2, 5, 6, 7, and 8.
3. Main Display Option Door (T18651-XX), includes items 3 and 4.
4. Main Display PCB Assembly (T17962-G1) includes item 9.
5. T18662-XX where XX is the color of the blank door.
6. Quantity varies with assembly.
7. All parts may not be available as spare parts.
8. No replacement.
9. K93685-G11 is obsolete and replaced by K93685-G9.

Main Display Area

Note: Used on 48-inch units only. For 36-inch units, refer to “Right Main Display, Pump Stop, and Call Button Option Door” on page 2-8.

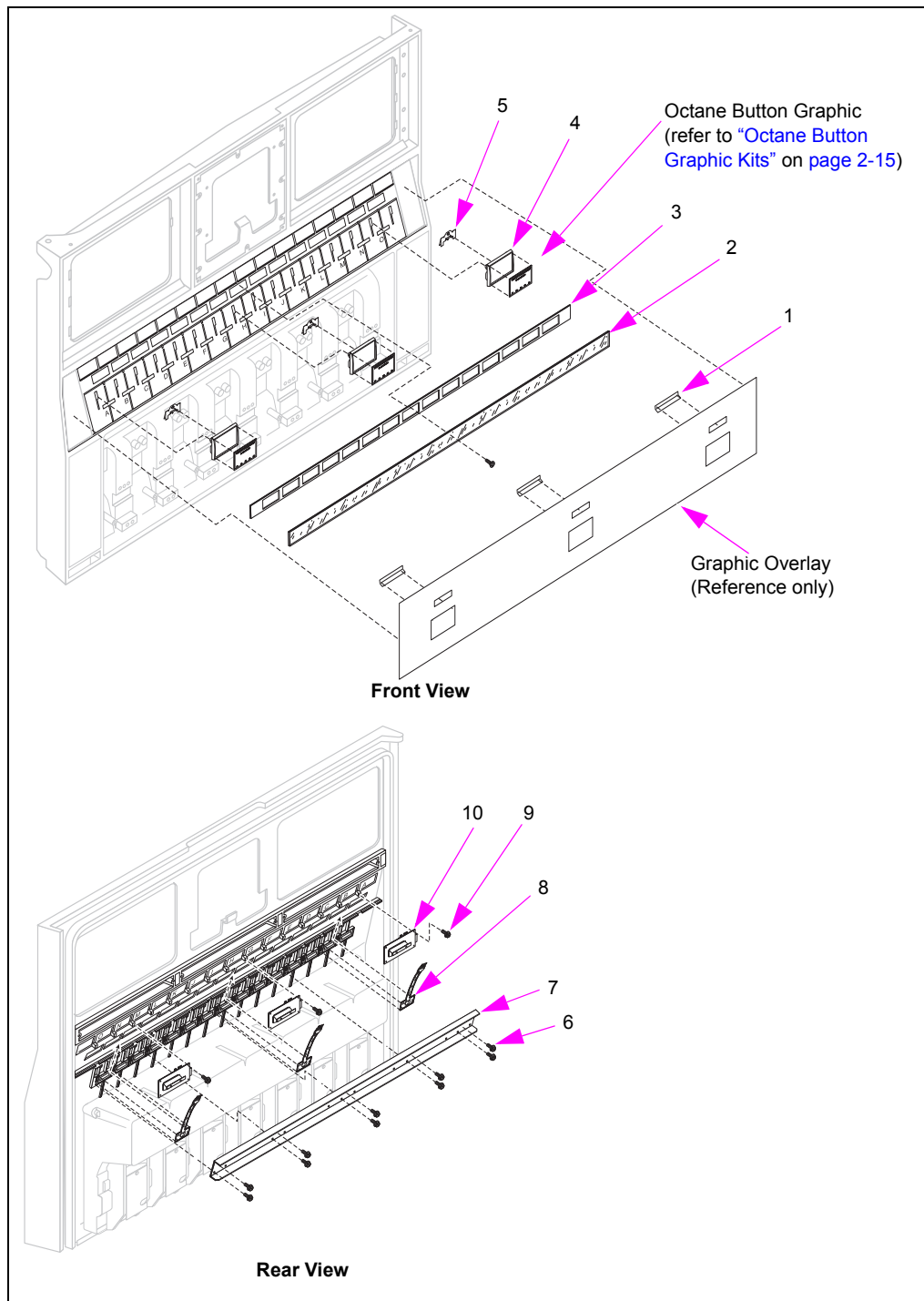


Item #	Part Description	Current Part	Previous Part	Quantity
1	Screw, #6-19 X 3/8"	Q12011-13	-	16
2	Main Display Window (narrow frame only) (see note 1)	N23122-01	-	1
3	Main Display Window Gasket** (with frame) (see note 2)	R20424-01	R20375-01	1
4	Main Display PCB (see notes 1 and 3)	T17962-G1	-	1
5	Screw, #6-20 X 3/8"	Q11677-24	-	3
6	Reflector Assembly			
6a	• 0.7"	T17622-G5	-	1
6b	• 1.0"	T17622-G6	-	2
7	Main Display Filter Kit (includes two 1.0" filters and one 0.7" filter)			
	• Orange	K93685-G9	-	1
	• White (no longer available) (obsolete, see note 6)	-	K93685-G10	1
	• Yellow (no longer available, use R93685-G9)	K93685-G9	K93685-G11	1

Notes:

1. Main Display Kit with Frame is K93686-G1.
2. Mask Main Display is R19237-03.
3. Main Display PCB Assembly (T17962-G1) includes item 7.
4. Quantities per main access door. Refer to "Main Access Door Assemblies" on page 2-4.
5. All parts may not be available as spare parts.
6. No replacement.
7. K93685-G11 is obsolete and replaced by K93685-G9.

PPU Area - Snap-in Grade Select Button Door



Item #	Part Description	Current Part	Previous Part	Quantity
1	Weather Shield	R20447-01	-	(see note 2)
2	PPU Lens Assembly (48" frame) (see note 3)	R20395-G01	-	1
3	Adhesive Strip (48" frame)† (see note 1)	R20436-01	-	1
4	Octane Button	R20373-01	-	(see note 2)
5	Octane Button Spring	R20385-01	-	(see note 2)
6	Screw, #8-32 X 3/8"	K85736-06	Q11677-24	10
7	Switch Backing Bracket for 48"	W03681-01	-	1
	Switch Backing Bracket for 36"	W03681-02		
	Gasket	Q11899-15		
8	Membrane Selectable Blender Switch (see note 6)	T19684-03	-	(see note 2)
9	Screw, #6-20 X 3/8"	Q11677-24	-	(see note 2)
10	PCB PPU Display	T18699-G2	-	(see note 2)
	Reflector Assembly	T17622-G8	-	(see note 2)
Not Shown				
-	Snap-in Grade Select Button Bezel Door (see note 1)			
	• 48" Frame (see note 1)	W02474-GXX	-	1
	• 36" Frame (see note 1)	W02472-GXX	-	1
<p><i>Notes:</i></p> <ol style="list-style-type: none"> †Adhesive strip (36" frame) is R20436-02. Quantities per door. PPU Lens (36" frame) is R20395-G02. For more information, refer to "Main Access Door Assemblies" on page 2-4. Quantity varies with model. Kit with screws and new Membrane Switch (T19684-02) is K94555-01. All parts may not be available as spare parts. 				

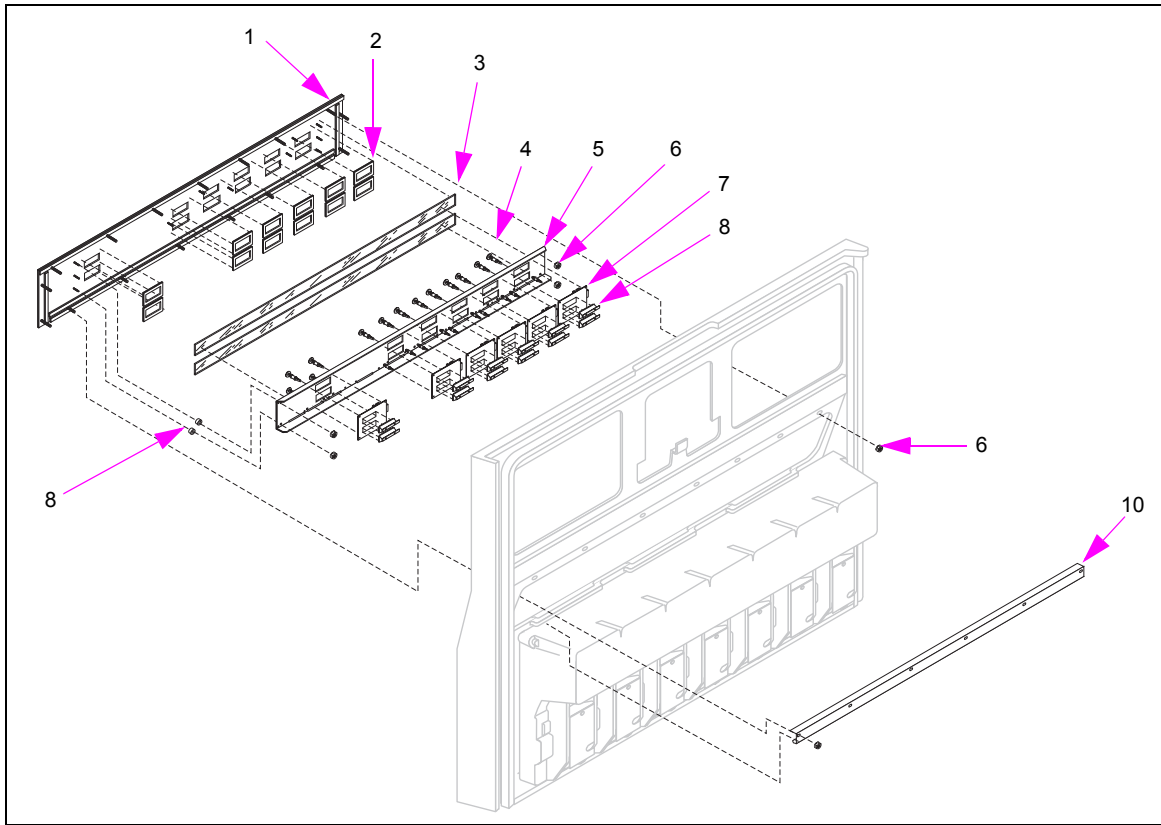
Octane Button Graphic Kits

Kit Number	Brand	Octane Ratings/Label
R60030-G1	Generic	All Ratings
R60030-G2		Diesel
R60030-G3		87, 89, 92
R60030-G4		87, 89, 92, Diesel
R60030-G5		Diesel
R60030-G6		Diesel #2
R60030-G7		Diesel Fuel
R60030-G8		Luk Oil, Press Here to Str
R60030-G9		Diesel (no other verbage)
R60030-G10		85 Rating
R60030-G11		85.5 Rating
R60030-G12		100 Octane
R60030-G13		Octane 110
R60030-G14		87, 89, 91, Diesel
R60030-G15		87, 89, 91, Diesel #2
R60030-G16	7-11	Kit
R60030-G17	Valero	Kit
R60030-G18	Generic	93 Octane

Softkey Keypad

Graphic Part Prefix	Keypad Switch #	Description
EU03007G	M06975K001	Kit, Alpha Numeric Keypad and Adhesive
EU01003G	M01254B003	Keypad, Monochrome Softkey Display
ENE0301G	M01254B003	Keypad, Monochrome Softkey Display
ENE06008G	M08412B001	Keypad, Misc Options, Encrypting PIN Pad (EPP) E300/500
ENE1702G	M07763B002	Keypad, Customer Input Alpha Numeric
EN06006G	M01735B001	Keypad, Start/Call/Stop [4 Point of Sale (POS) Keypad]
ENE0605G	M08430B002	Keypad Options, EPP/E-CIM
ENS0604G	M06070B001	Keypad Stop/Call/Start (3 POS Keypad)
ENS0604G	M06070B002	Keypad, 7 POS, Stop/Call
ENE1701G	M07689B002	Keypad, Customer Input ADA CRIND, E-CIM
EU03004G	M00141B002	Keypad, Customer Input (ADA CRIND)
ENS1701G	M08418B001	Keypad, EPP Auxiliary
ENS0301G	M06069B001	Keypad, Softkey - CRIND Mono - 4 POS
ENE0401G	M08317B002	Keypad, Softkey Color (R) E-CIM 10.4
ENE0501G	M08317B001	Keypad, Softkey Color (L) E-CIM 10.4
ENE0601G	M07754B001	Keypad, 3-key Option
EN06002G	M01109B003	Keypad, Misc Options
ENE0616G	M12287B001	Keypad, ADA

PPU Area - Dual PPU Pricing



48-inch Dual PPU Faceplate Assemblies

Unit Part Description	Current Part
5+1, Side A (1, 2, 3, 4, 5, 6)	T19183-G1
5+1, Side B (6, 1, 2, 3, 4, 5)	T19183-G5
4+1, Side A (1, 2, 3, 4, 6)	T19183-G2
4+1, Side B (6, 1, 2, 3, 4)	T19183-G6
3+1, Side A (1, 2, 3, 6)	T19183-G3
3+1, Side B (6, 3, 4, 5)	T19183-G7
3+1, Side A (1, 3, 5, 6)	T19183-G4
3+1, Side B (6, 1, 3, 5)	T19183-G8
5+0 (1, 2, 3, 4, 5)	T19154-G1
4+0 (1, 2, 3, 4)	T19154-G2
3+0 (1, 3, 5)	T19154-G3
<i>Note: These parts are obsolete and there is no replacement.</i>	

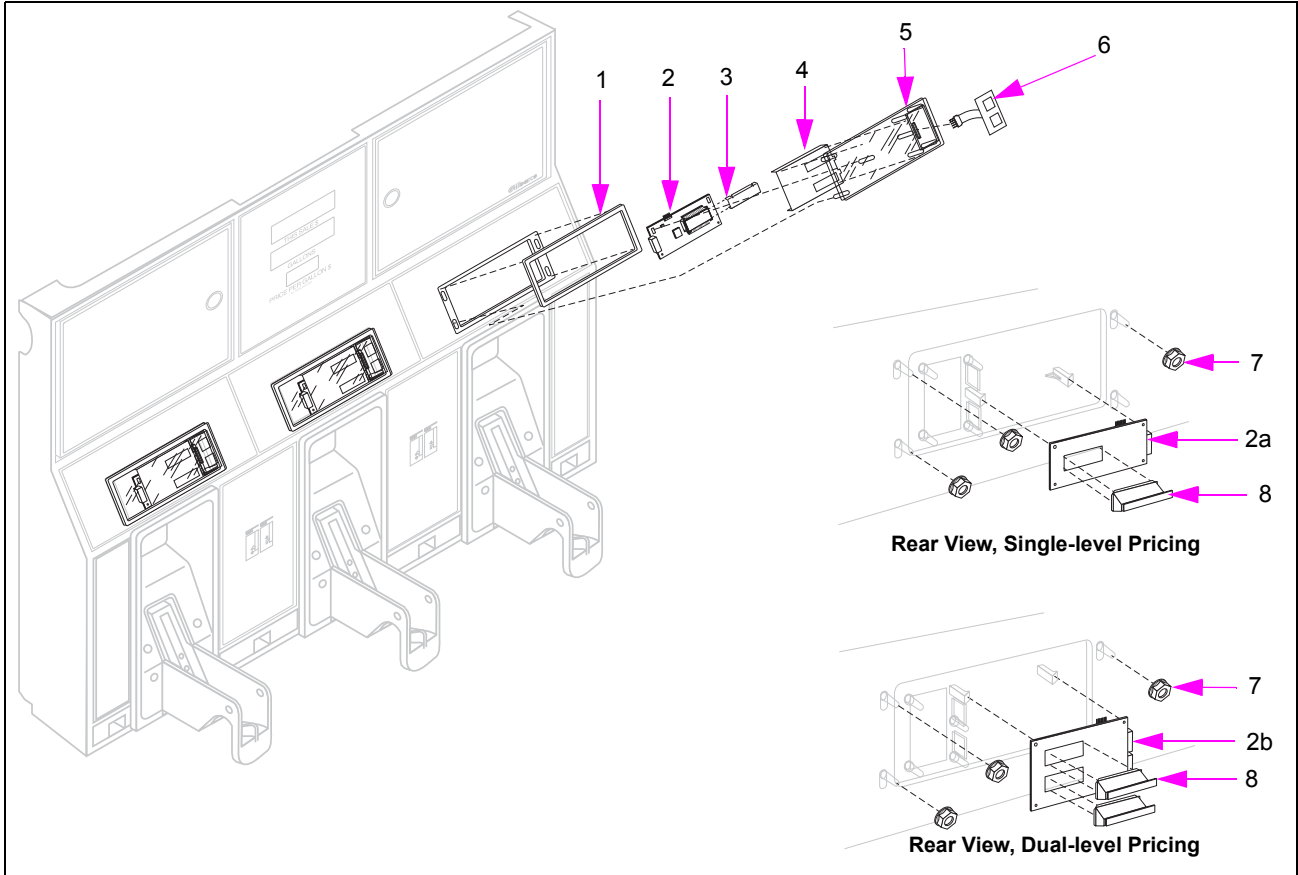
36-inch Dual PPU Faceplate Assemblies

Unit Description	Current Part
5+0 (1, 2, 3, 4, 5)	T19154-G1
4+0 (1, 2, 3, 4)	T19154-G2
3+0 (1, 3, 5)	T19154-G3
<i>Note: These parts are obsolete and there is no replacement.</i>	

Item #	Part Description	Current Part	Previous Part	Quantity (48")	Quantity (36")
1	48" Faceplate and Membrane Assembly				
	• X + 0, side A	T19277-G2	-	1	-
	• X + 0, side B	T19277-G3	-	1	-
	• X + 1	T19277-G4	-	1	-
	36" Faceplate and Membrane Assembly	T19277-G1	-	-	1
2	PPU Gasket	R18689-01	-	(see note 1)	(see note 2)
3	PPU Lens				
	• 48"	T17774-04	-	2	-
	• 36"	T17774-03	-	-	2
4	PCB Support	Q10651-38	-	(see note 1)	(see note 2)
5	48" Support Bracket				
	• X + 0 (side A), X + 1 (sides A and B)	T19570-01	-	1	-
	• X + 0 (side B)	T19570-01	-	1	-
	36" Support Bracket (obsolete, see note 5)	-	T19582-01	-	1
6	Nut, #4-40	Q12068-01	-	(see note 1)	(see note 2)
7	PPU Display Board	M13964A001 T18705-G1	T18705-G2 T17539-G2	(see note 1)	(see note 2)
	PPU Display Filter Sets				
	• Orange	R19211-031	-	(see note 1)	(see note 2)
	• White (obsolete, see note 5)	-	K93685-G6	(see note 1)	(see note 2)
	• Yellow (obsolete, see note 4)	K93685-G5	K93685-G7	(see note 1)	(see note 2)
8	Reflector Assembly	T17622-G8	T17622-G4	(see note 1)	(see note 2)
9	Round Spacer, 1/4" X 1/8"	Q10213-22	-	(see note 1)	(see note 2)
10	PPU Board Brace				
	• 48"	T17807-01	-	1	-
	• 36"	T17807-02	-	-	1

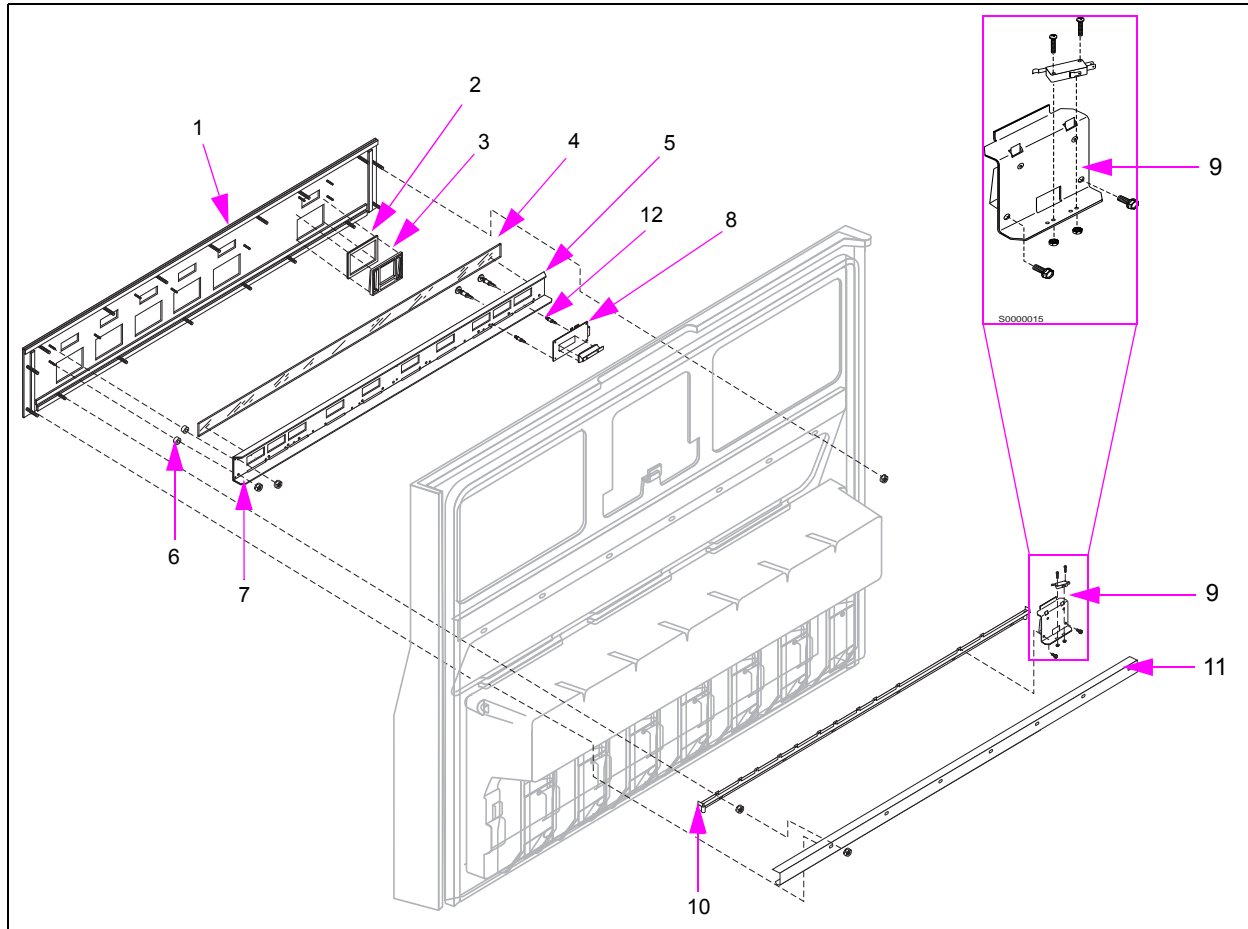
- Notes:
1. Quantities per faceplate assembly.
 2. Quantity varies with model.
 3. All parts may not be available as spare parts.
 4. K93685-G5 is obsolete and no replacement.
 5. No replacement.

PPU Area - MPD, Quad, Dual, Blender Six-hose, and Blender Single-hose



Item #	Part Description	Current Part	Previous Part	Quantity
1	PPU Window Gasket	N23142-01	-	1
2	PPU Display Board Assemblies			
2a	• Single-level, Without Display Filters	T18699-G2 T18699-G1	T18699-G1 T17539-G3	1
2b	• Dual-level, Without Display Filters	M13964A001 T18705-G1	T18705-G2 T17539-G2	1
3	PPU Display Filter Set Kits (order one per display board)			
	• Orange	R19211-031	-	1
	• White (obsolete, see note 5)	-	K93685-G6	1
	• Yellow (no longer available, use K93685-G5) (see note 7)	K93685-G5	K93685-G7	1
4	PPU Display Mask	T17830-01	-	1
5	Window, PPU Display			
	• With Filler Plate	T17635-G1	T17635-02	1
	• Without Filler Plate	T17635-G2	T17635-02	1
6	Switch, Single or Dual-level PPU			
	• Without Light Emitting Diode (LED)	T19370-12	T19370-02	1
	• With LED (see note 3)	K93710-03 T19370-02 T19370-02	T19370-04 R19179-03 R19179-02	1
	Switch, Center Position			
	• Without LED	K93710-05	-	1
	• With LED (see note 3) (obsolete, see note 6)	K93710-05 -	T19370-05 R19179-01	1
	Filler Plate, PPU switch	N23143	-	1
7	Nut, Self-thread 1/4"	Q10059-08	-	1
8	Reflector Assembly, 0.5" Displays	T17622-G8	T17622-G4	(see note 1)
Not Shown				
-	Liquid Crystal Display (LCD) Display, 0.5"	Q12446-03	-	(see note 1)
-	PPU Overlay (see note 2)			
	• Single-level	R19431-XX	-	(see note 1)
	• Dual-level (cash/credit)	R19432-XX	-	(see note 1)
Notes: 1. Quantity varies with model. 2. Order-entry item. Specify the color and graphics when ordering. 3. Membrane switches with LEDs are no longer offered or spared. 4. All parts may not be available as spare parts. 5. No replacement. 6. R19179-01 is obsolete and no replacement. 7. K93685-G7 is obsolete and replaced by K93685-G5.				

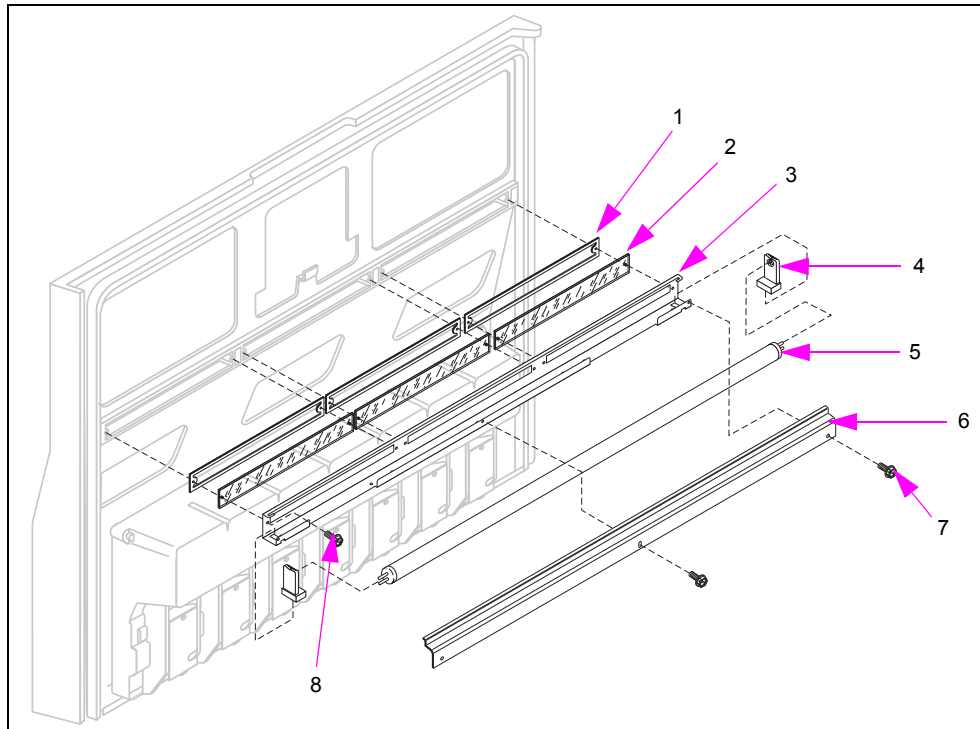
PPU Area - Soda Buttons



Item #	Part Description	Current Part	Previous Part	Quantity
1	Faceplate	-	-	1
2	Grade Select Gasket	R18842-01	-	(see note 2)
3	Grade Select Button			
	• Plastic (obsolete, must use metal below)	T19596-01	T17286-01	(see note 2)
	• Metal	T19596-01	-	(see note 2)
4	PPU Lens			
	• 48"	T17774-04	-	1
	• 36"	T17774-03	-	1
5	Upper Support Bracket			
	• 48"	T17874-01	-	1
	• 36"	T17779-01	-	1
6	Flat Washer	N16599-78	-	(see note 2)

Item #	Part Description	Current Part	Previous Part	Quantity	
7	Nut, #8-32 (obsolete, see note 3)	-	Q10213-12	(see note 2)	
8	Display Board, Single-level PPU (without display filters, includes 7)	T18699-G2	-	(see note 2)	
	Display, LCD 0.5"	Q12446-03	-	(see note 2)	
	Reflector Assembly, 0.5" display	T17622-G8	-	(see note 2)	
	Mask, PPU	N23179-01	-	(see note 2)	
	PPU Display Filter Set Kits (order one per display board)				
	• Orange (obsolete, see note 3)	-	K93685-G5	(see note 2)	
	• White (obsolete, see note 3)	-	K93685-G6	(see note 2)	
	• Yellow (obsolete, see note 4)	K93685-G5	K93685-G7	(see note 2)	
9	Grade Select Switch Bracket Assembly (Spare Parts Item)	T20347-G1	-	(see note 2)	
10	Lower Support Bracket				
	• 48", Diesel right	T17809-G1	-	1	
	• 48", Diesel left	T17809-G2	-	1	
	• 36", Right or Left	T17808-G1	-	1	
11	Brace, PPU Board				
	• 48"	T17807-01	-	1	
	• 36"	T17807-02	-	1	
12	Circuit Board Support	Q10651-38	Q10651-32	(see note 2)	
Not Shown					
-	Drain Tubing	Q12518-01	-	2	
-	Octane Card kit, 86-94				
	• For Use with Plastic Button T17286-01 (obsolete, (refer to "for use with metal button T19596-01" below)	R20322-01	K93358-03	1	
-	• For Use with metal button T19596-01 (obsolete, see note 3)	R60030-G1 (Refer to "Octane Button Graphic Kits" on page 2-15)	R20322-01	1	
-	Spacer	K87404-03	-	(see note 2)	
-	Gasket, PPU board	R18689-01	-	(see note 2)	
-	Teflon® Strip	Q12054	-	(see note 2)	
Notes: 1. Quantities per main access door. 2. Quantity varies with model. 3. No replacement. 4. All parts may not be available as spare parts. 5. K93358-03 is obsolete and replaced by R20322-01.					

Brand Panel Lighting



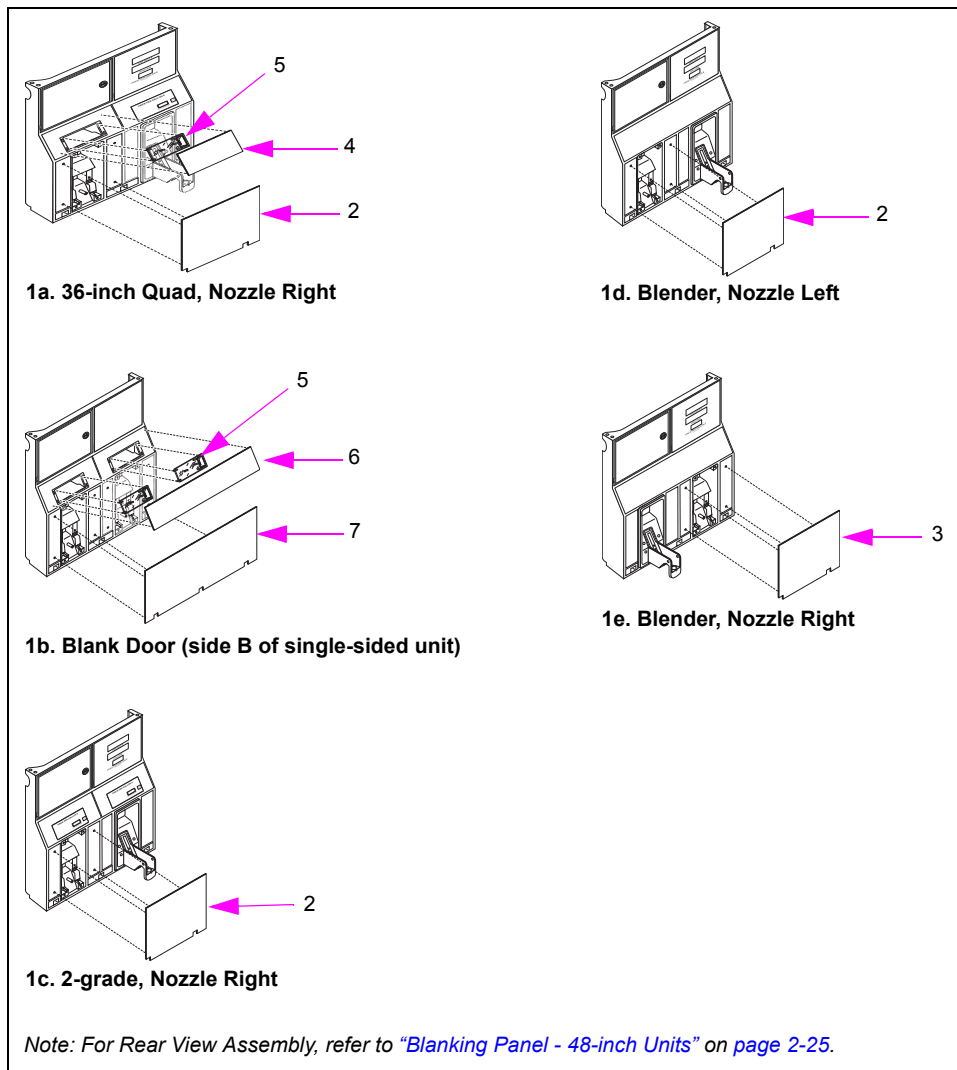
Item #	Part Description	Current Part	Previous Part	Quantity
1	Gasket, Lamp Window	N23136-01	-	(see note 1)
2	Window, Lamp	N23122-01	-	(see note 1)
3	Lamp Channel (see note 2)			
	• 48" Frame (obsolete, see note 6)	-	T17974-01	1
	• 36" Frame	T17975-02	T17975-01	1
4	Pressure Lock Lamp Holder (see note 2)	K87111	-	2
	Screw, #6-32 X 1/2" (see note 2)	K85736-04	-	(see note 1)
5	Lamp, Fluorescent (see note 2)			
	• 48" Frame	Q10878-04	-	1
	• 36" Frame	Q10878-03	-	1
6	Screw, #10-32 X 1/2"	K85736-15	-	(see note 1)
7	Screw, #6-20 X 5/8" (see note 2)	Q11677-28	-	(see note 1)
Not Shown				
-	Nut, #10-32	Q11890-03	-	(see note 1)
	Lamp Channel (see note 2)			
	• 48" Frame (obsolete, see note 6)	-	T18664-01	1
	• 36" Frame (obsolete, see note 6)	-	T18670	1

Item #	Part Description	Current Part	Previous Part	Quantity
-	Backlight Reflector Assembly (includes starter and lamp) (see note 2)	K93883-XX	T18691-G1	(see note 1)
-	Lamp, Fluorescent (see note 2)	-	Q10878-02	(see note 1)
-	Starter, Lamp (see note 2)	-	Q12580-01	(see note 1)

Notes:

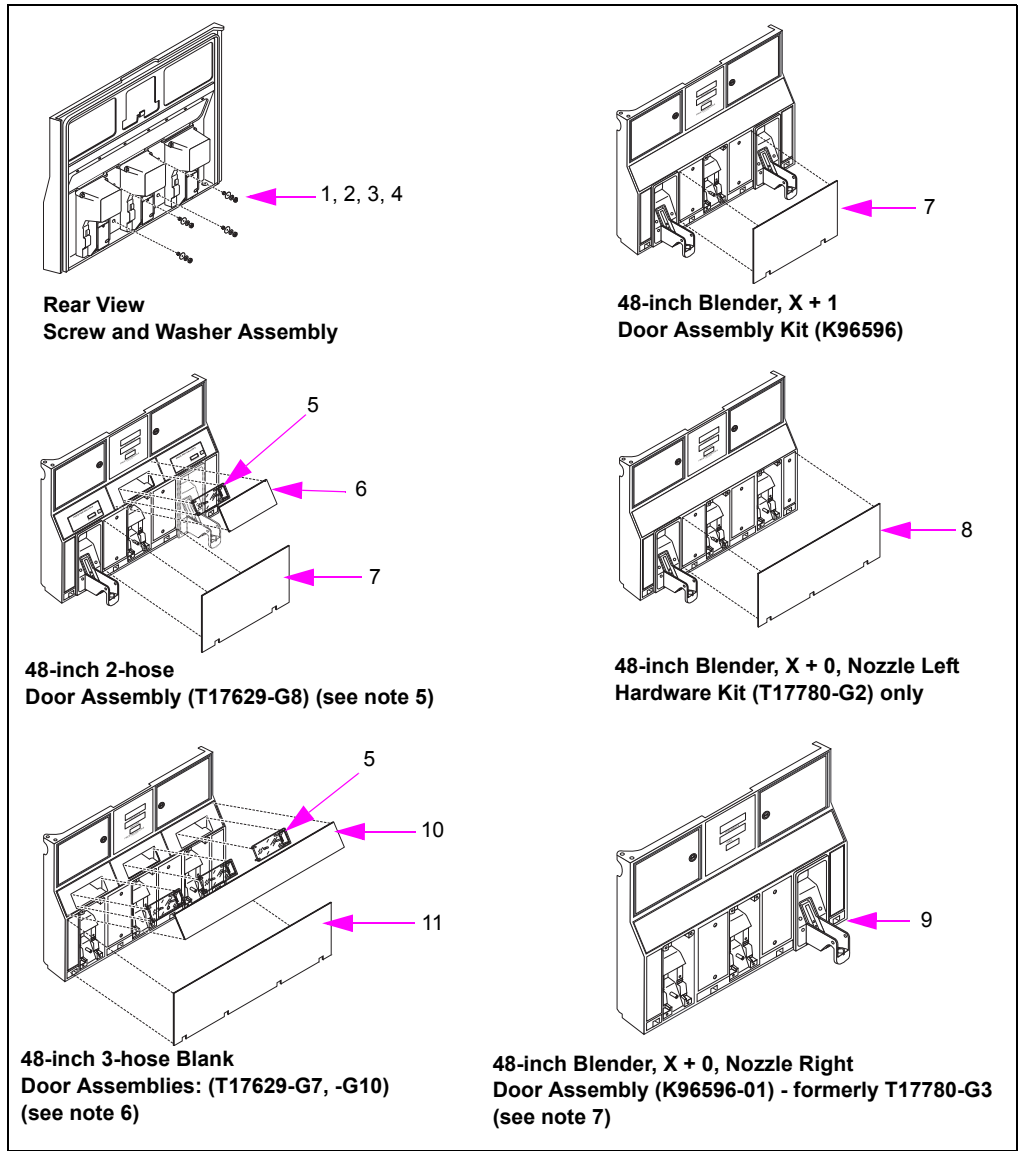
1. Quantity varies with model.
2. Current and previous parts cannot replace each other. Used from 02/91 to 05/92.
3. Not available on Blenders X + 1, X + 0 (48" and 36" frames), MPD Single-hose with soda buttons, or models with dual level PPUs.
4. Order-entry item and specify the color and graphics while ordering.
5. All parts may not be available as spare parts.
6. No replacement.

Blanking Panel - 36-inch Units



Item #	Part Description	Current Part	Previous Part	Quantity
1	Main Access Door Assembly, 36" Units			
1a	• Dual, Nozzle Right (obsolete, see note 6)	-	T17761-G2	1
1b	• Blank Door (side B of single-sided unit) (obsolete, see note 6)	-	T17761-G3	1
1c	• 2-grade, Nozzle Right	T17761-G11	-	1
1d	• Blender, Nozzle Left (obsolete, see note 6)	-	T17781-G1	1
1e	• Blender, Nozzle Right (obsolete, see note 6)	-	T17781-G2	1
2	Blanking Panel, 36" Single-hose Right, Color Coded	T18692-G1**XX (see note 4)	-	1
3	Blanking Panel, 36" Single-hose Left, Color Coded	T18692-G2**XX (see note 4)	-	1
4	Blanking Panel, PPU area, Color Coded	T18668-G2**XX (see note 4)	-	1
5	Filler Plate Assembly	R20367-G1	-	(see note 3)
6	Blanking Panel, PPU Area, Color Coded	T18668 G2 T18694-G3	T18694-G2 T18694-G1	1
7	Blanking Panel, Single-sided Unit, Color Coded	T18693-G1**XX (see note 4)	-	1
<p>Notes:</p> <ol style="list-style-type: none"> Quantity per main access door. Assembly part numbers include main access door and blanking panel parts as listed in this table. Quantity varies with assembly. **XX indicates color is required. All parts may not be available as spare parts. No replacement. 				

Blanking Panel - 48-inch Units



**Rear View
Screw and Washer Assembly**

**48-inch Blender, X + 1
Door Assembly Kit (K96596)**

**48-inch 2-hose
Door Assembly (T17629-G8) (see note 5)**

**48-inch Blender, X + 0, Nozzle Left
Hardware Kit (T17780-G2) only**

**48-inch 3-hose Blank
Door Assemblies: (T17629-G7, -G10)
(see note 6)**

**48-inch Blender, X + 0, Nozzle Right
Door Assembly (K96596-01) - formerly T17780-G3
(see note 7)**

Item #	Part Description	Current Part	Previous Part	Quantity
1	Nut, Hexagonal, Self-locking	Q10218-04	-	(see note 1)
2	Flat Washer	N16599-78	-	(see note 1)
3	Mounting Stud Gasket	Q11659-01	-	(see note 1)
4	Split Spacer	K87404-01	-	(see note 1)
5	PPU Display Lens	T17635-G1	-	(see note 1)
6	Blanking Panel, PPU Area, Color Coded	T18668-G2**XX (see note 3)	-	1
7	Blanking Panel, Two-hose Center, Color Coded	T18666-G4**XX (see note 3)	-	1
8	Blanking Panel, 48" Single-hose, Nozzle Left, Color Coded	T18666-G5**XX (see note 3)	-	1
9	Blanking Panel, 48" Single-hose, Nozzle Right, Color Coded	T18666-G1**XX (see note 3)	-	1
10	Blanking Panel, PPU Area, Color Coded	T18668-G1**XX (see note 3)	-	1
11	Blanking Panel, Three-hose, Color Coded	T18667-G1**XX (see note 3)	-	1
<p><i>Notes:</i></p> <ol style="list-style-type: none"> 1. Quantity per main access door. 2. Quantity varies with model. 3. **XX indicates color is required. 4. All parts may not be available as spare parts. 5. T17629-G8 is replaced by T17629-G5. 6. T17629-G7 and T17629-G10 are replaced by T17629-G3. 7. T17780-G3 is obsolete and no replacement. 				

Blanking Panel - 48-inch Units (Continued)

**48-inch MPD, 4-grade, 4-hose
(Hardware only: T17826-G2) (obsolete, see note 3)**

**48-inch Selectable Blender, Single-hose
Door Assemblies (T17826-G9, -G19)
(obsolete, see notes 5 and 7)**

**48-inch 4-grade, Single-hose + 1
Door Assembly (T17826-G17)**

**48-inch Selectable Blender, 2-hose
Door Assembly (T17826-G17)**

**48-inch MPD, 3-grade, Single-hose
Door Assemblies (T17826-G5, -G9)
(obsolete, see note 5)**

**48-inch MPD, 1-grade, 1-hose (Nozzle Right)
Door Assemblies (T17826-G15, -G16)
(obsolete, see notes 2 and 6)**

Notes:

1. For Rear View Assembly, refer to "Blanking Panel - 48-inch Units" on page 2-25.
2. T17826-G15 is obsolete and no replacement.
3. T17826-G2 is obsolete and no replacement.
4. T17826-G5 is obsolete and no replacement.
5. T17826-G9 is obsolete and no replacement.
6. T17826-G16 is obsolete and no replacement.
7. T17826-G19 is obsolete and replaced by T17826-G9.

Item #	Part Description	Current Part	Previous Part	Quantity
1	Narrow Angle Support Panel	T19456-01	-	(see note 1)
2	Blanking Panel Insert	T19689-02**XX (see note 3)	-	1
3	Modified PPU Display Lens	R20367-G1	T17635-04	(see note 1)
4	Filler Plate	R19518-01	-	1
5	Blanking Plate Assembly, Left Side, Color Coded	T17955-G1	-	1
6	Blanking Plate Assembly, Right Side, Color Coded	T17955-G2	-	1
7	Blanking Panel Insert	T19690-01**XX (see note 3)	-	1
<p><i>Notes:</i></p> <ol style="list-style-type: none"> 1. Quantity per main access door. 2. Quantity varies with model. 3. **XX indicates color is required. 4. All parts may not be available as spare parts. 				

Blanking Panel - 48-inch Units (Continued)

**48-inch MPD, 2-grade, 2-hose (Logitron)
(T17826-G14, -G22 Main Access Doors)
(obsolete, see notes 4 and 7)**

**48-inch 3-grade, 3-hose (Logitron, Side B)
(T17826-G13, -G21 Main Access Doors)
(obsolete, see notes 3 and 6)**

**48-inch 3-grade, 3-hose (Logitron, Side A)
(T17826-G12, -G20 Main Access Doors) (obsolete, see notes 2 and 5)**

Notes:

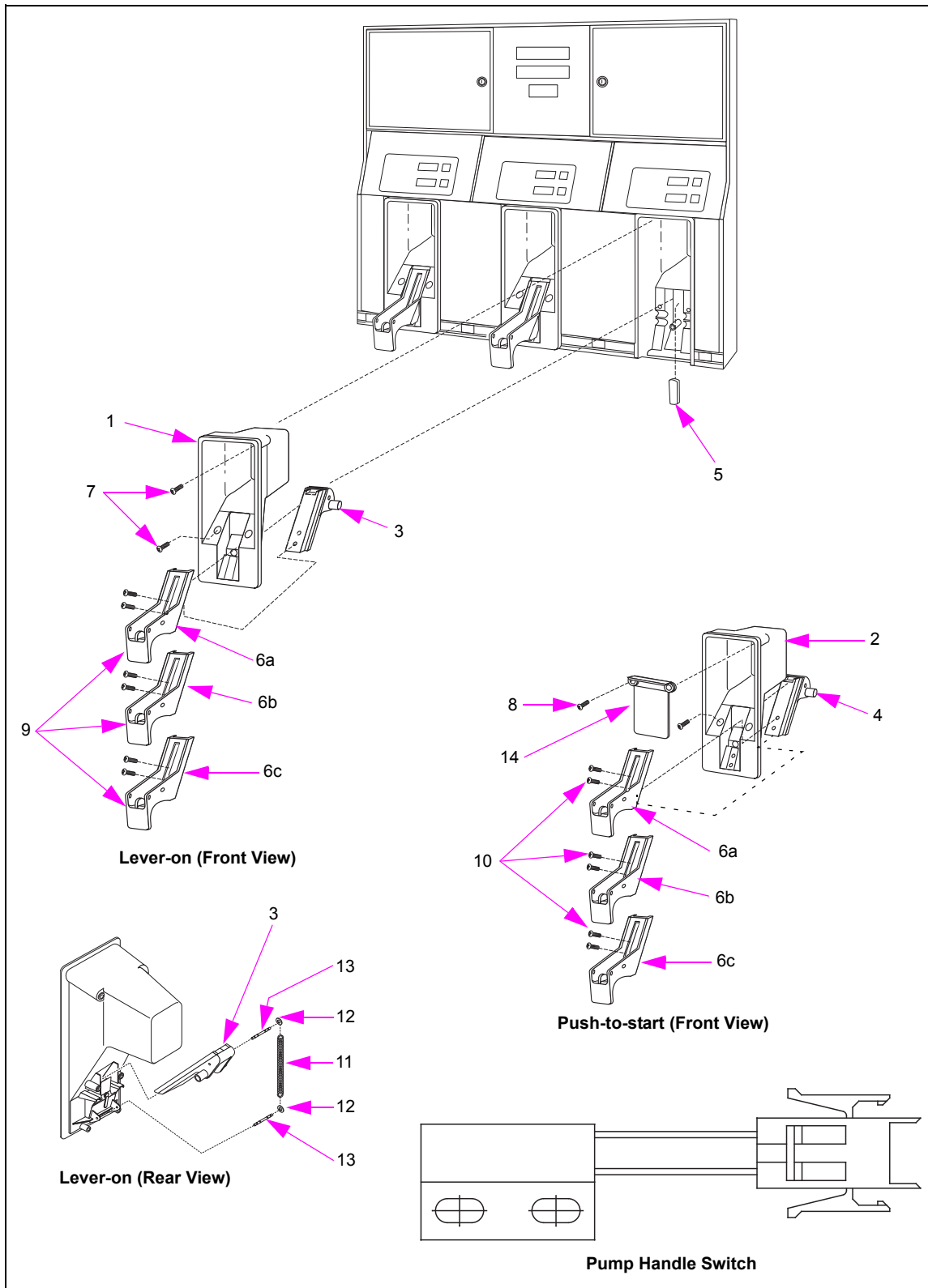
1. For Rear View Assembly, refer to "Blanking Panel - 48-inch Units" on page 2-25.
2. T17826-G12 is obsolete and no replacement.
3. T17826 G13 is obsolete and no replacement.
4. T17826 G14 is obsolete and no replacement.
5. T17826-G20 is obsolete and replaced by T17826-G12.
6. T17826-G21 is obsolete and replaced by T17826-G2.
7. T17826-G22 is obsolete and replaced by T17826-G17.

Item #	Part Description	Current Part	Previous Part	Quantity
1	Modified PPU Display Lens	R20367-G1	T17635-04	(see note 1)
2	Filler Plate (obsolete, see note 2)	-	R19518-01	1
3	Blanking Panel Insert, Color Coded	T19690-01**XX (see note 3)	-	1
4	Blanking Panel Insert, Color Coded	T19689-02**XX (see note 3)	-	1
5	Narrow Angle Support Panel	T19456-01	-	(see note 1)

Notes:

1. Quantity per main access door.
2. R19518-01 Filler Plate is no longer required when using 30 Mil Tedlar®.
3. **XX indicates color is required.
4. Quantity varies with model.
5. All parts may not be available as spare parts.

Nozzle Boot



Item #	Part Description	Current Part	Previous Part	Quantity
1	Nozzle Boot, Lever-on			
	• Short Hook	W03879-G1	W02491-10	1
	• Medium Hook	W03879-G2		1
	• Long Hook	W03879-G3		1
2	Nozzle Boot, Push-to-start (plastic)	W02491-12	R19556-01	1
3	Nozzle Cradle Base, Lever-on	R19272-G1	-	1
4	Nozzle Cradle Base, Push-to-start	R19272-G1	R19273-03	1
5	Bumper, Nozzle Lever	K93661-02	K93661-01	1
6	Nozzle Cradle			
6a	• Non-vapor or Vapor Recovery, Short	T18400-10	-	1
6b	• Vapor Recovery, Medium	T18400-11	-	1
6c	• Vapor Recovery, Long	T18400-12	-	1
7	Screw, 1/4-10 X 3/4"	Q11657-187	Q12011-166	(see note 1)
8	Screw, 1/4-10 X 1-1/4"	Q11657-183	Q11824-196	2
9	Screw, 1/4 X 3/4"	Q12588-77	-	2
10	Screw, 1/4 X 1-1/4"	Q11270-196	-	2
11	Spring, Nozzle Hook	Q10226-06	-	1
12	Washer	N16599-45	-	2
13	Spring Pin	K93540-01	-	2
14	Nozzle Flap/Magnet Assembly, Push-to-start	R20713-G1 R19303-G1	R19303-G1 R19229-G1	1
15	Switch, Pump Handle	Q12514-06	Q12514-01	1
Not Shown				
-	Conversion Kits: • Lever to Push-to-start • Push-to-start to Lever	K93708-01 K93708-02	-	1
-	Screw, #6-19 X 3/8"	Q12011-13	-	1
-	Shield, Pump Handle Switch (for blenders only)	N23182-G1	-	1
-	Lock and Key (black)	Q12542-01	-	1
-	Lock and Key (chrome)	Q12542-02	-	1
-	Short Hook (plastic)	W03879-G1	-	1
-	Medium Hook (plastic)	W03879-G2	-	1
-	Long Hook (plastic)	W03879-G3	-	1
Notes: 1. Quantity varies with model. 2. All parts may not be available as spare parts.				