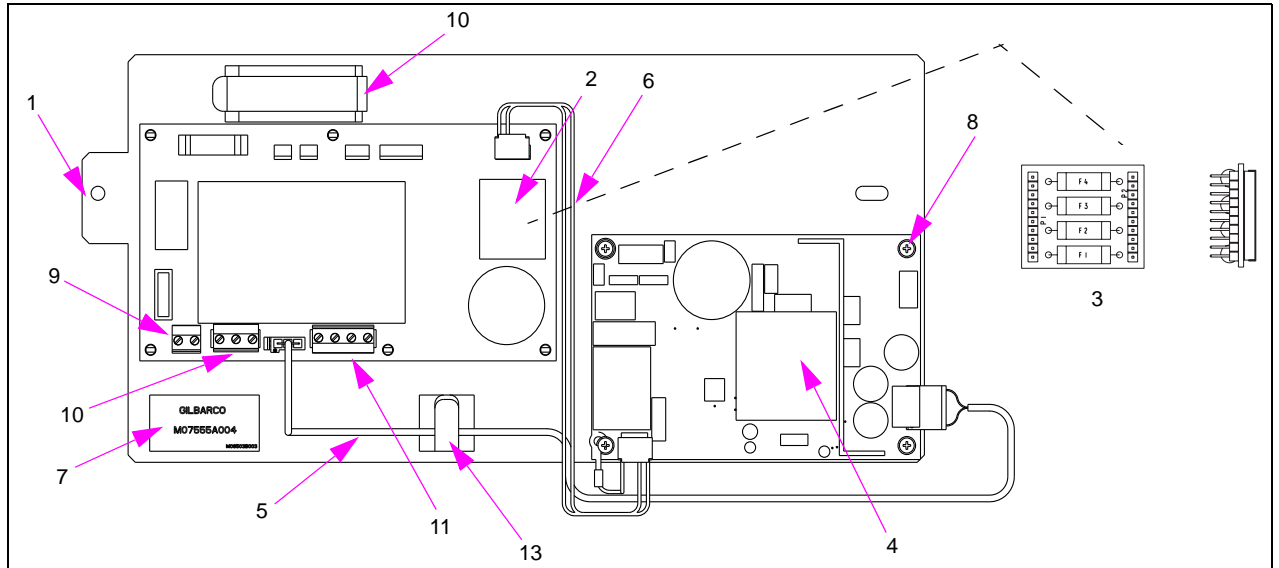


3 – CD Module Electronics (Encore 500/Ultra-Hi)

Power Supply Assembly

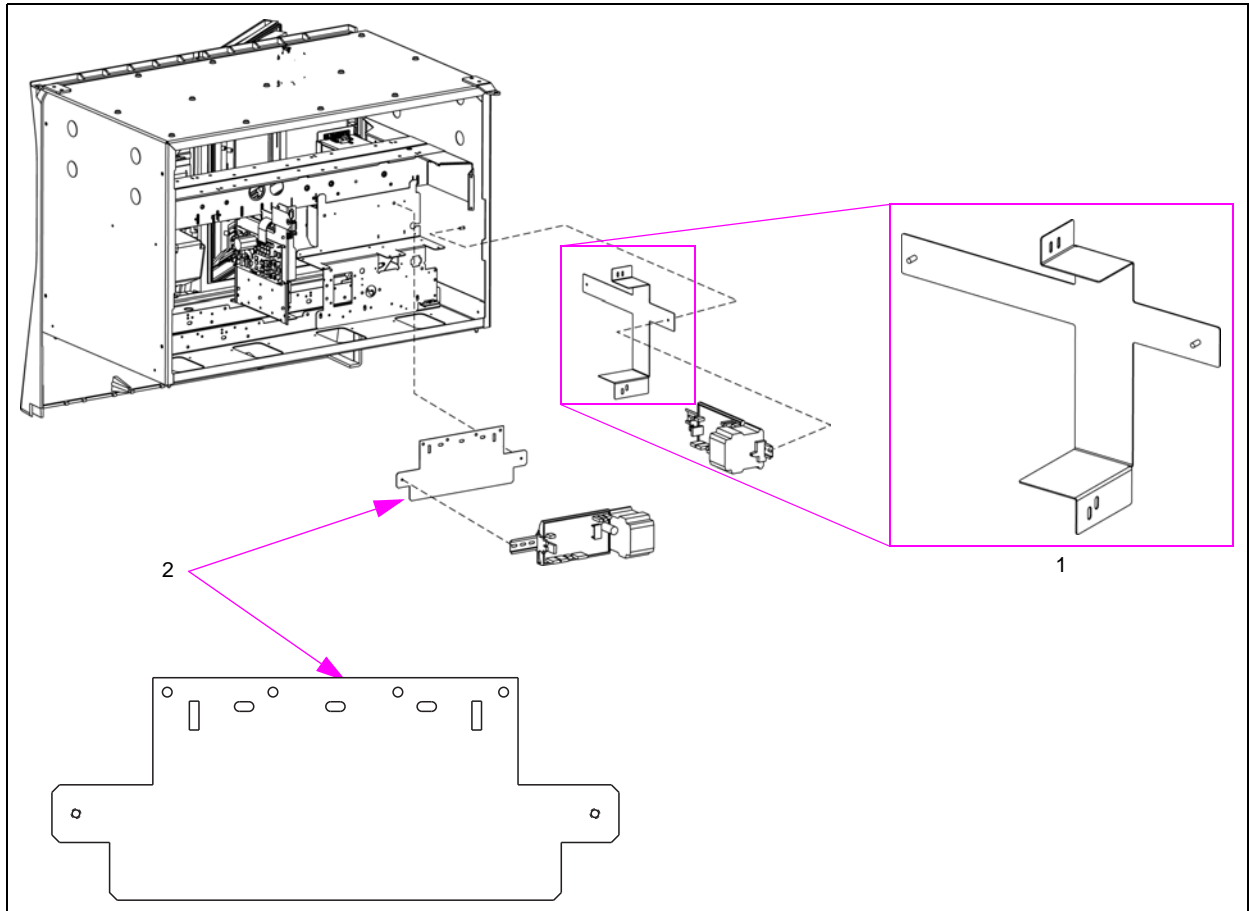


Item #	Part Description	Current Part	Previous Part	Quantity
Power Supply Assembly		M07555A004	M07555A001 M04104A001	1
1	Power Supply Assembly (ICE) (see note 1)	M07555A003	-	1
2	Power Supply, PCA (see note 1)	M07121A004	M07121A002	1
3	Fuse Block (see note 2)	M07362A002	-	1
4	24 VDC Power Supply	M10996A001	-	1
5	Cable, ICE Power Supply (see note 3)	-	-	1
6	Cable, ICE Power Supply (see note 3)	-	-	1
7	Label, Power Supply	M08503B003	-	1
8	Screw, SEMS PPHD	Q12083-15	-	4
9	Connector, Phoenix Contact (2 POS)	M04379A002	-	1
10	Connector, Phoenix Contact (3 POS)	M04379A003	-	1
11	Connector, Phoenix Contact (4 POS)	M04379A004	-	1
12	Clamp, Flat Cable Mounting	Q13459-01	-	1
13	Cable Mount, Adhesive	Q13558-04	-	1

Notes:

1. M07121A004 is substituted by M07555A003. For spares you must order M07555A003 which contains Power Supply, PCA (M07121A004) and mounting bracket assembly.
2. Fuse Block (M07362A002) must be ordered separately.
3. For more information, refer to "Cable Assemblies (Encore 500/550/S/Ultra-Hi)" on page 6-1.

Power Supply Brackets



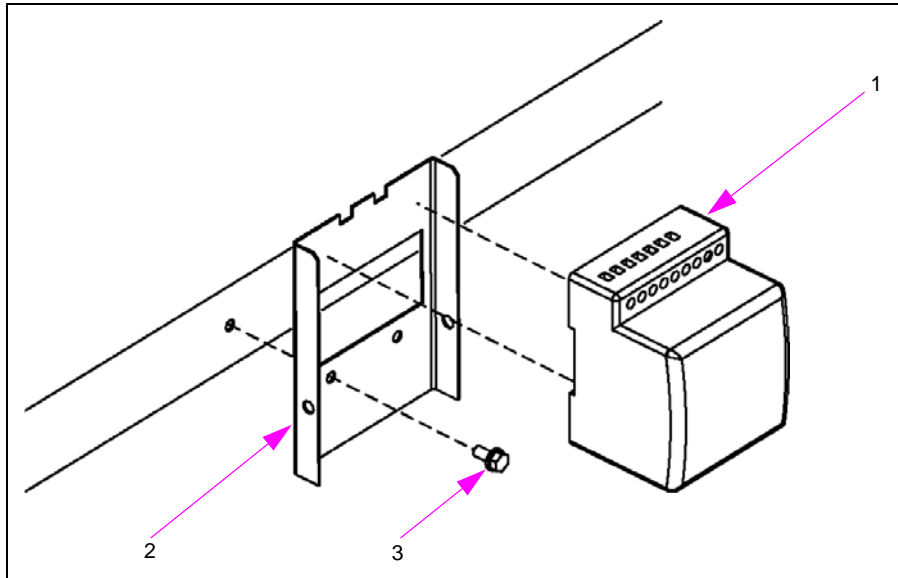
Item #	Part Description	Current Part	Previous Part	Quantity
1	Power Supply Mounting Bracket Assembly (Retrofit)	M04554A001	-	1
2	Power Supply Mounting Bracket Assembly (with Cash Acceptor)	M04661A001	-	1

*Note: This assembly went into effect in November 2004. This assembly replaced Main Power Supply M02274 series. M04104 or M07555 **cannot** replace M02274, and M02274 **cannot** replace the new Power Supply (M04104A001 or M07555A004).*

Power Supply - SMART Meter™

Power Supply with Mounting Bracket

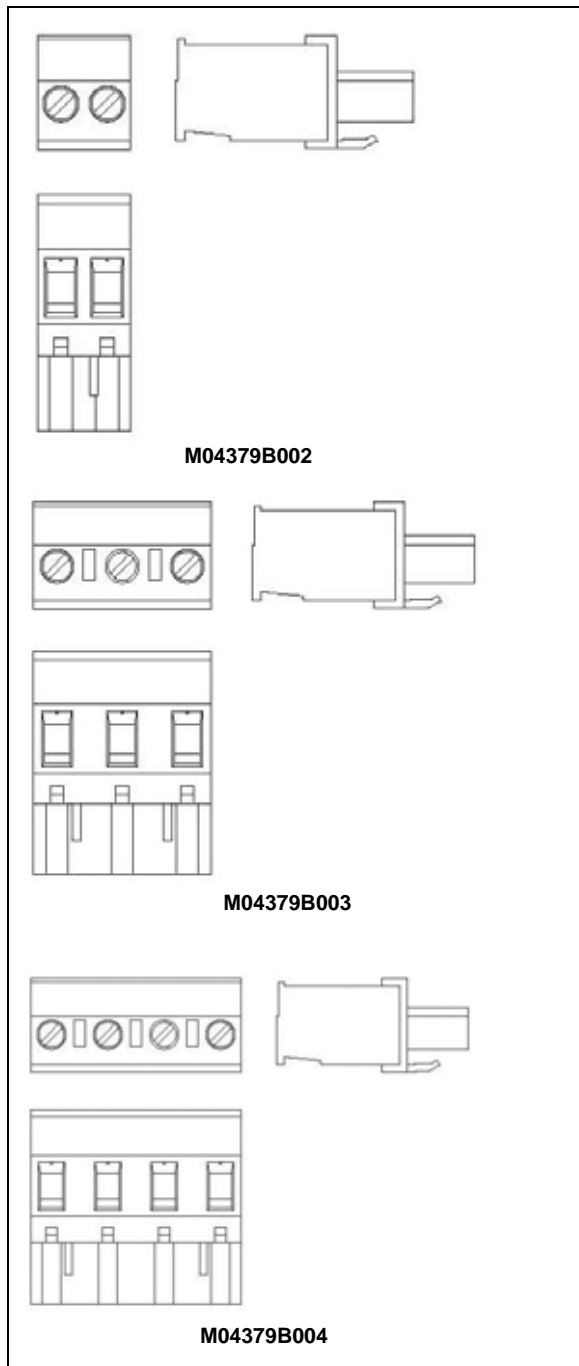
Note: No longer in production.



Item #	Part Description	Current Part	Previous Part	Quantity
1	Power Supply, 5 V Auxiliary (see note)	M04161B003	M04078B001	1
2	Bracket, Auxiliary Power	M03700B001	-	1
3	Screw, Metric M5 X 10	M00417B101	-	2

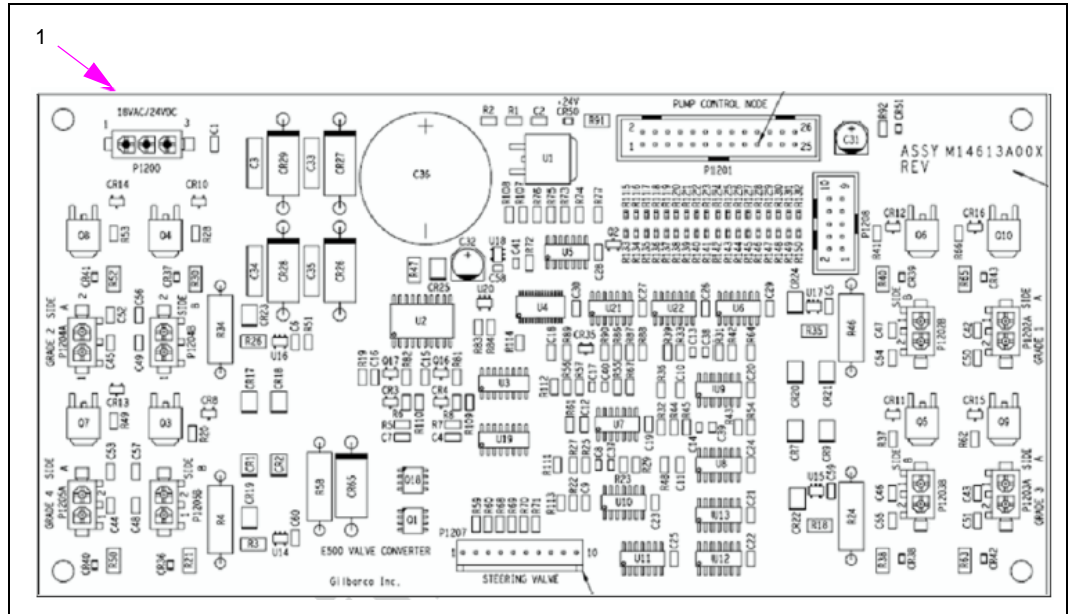
Note: M04161B003 Power Supply is no longer available as of January 2013.

Connectors - DIN Rail Power Supply



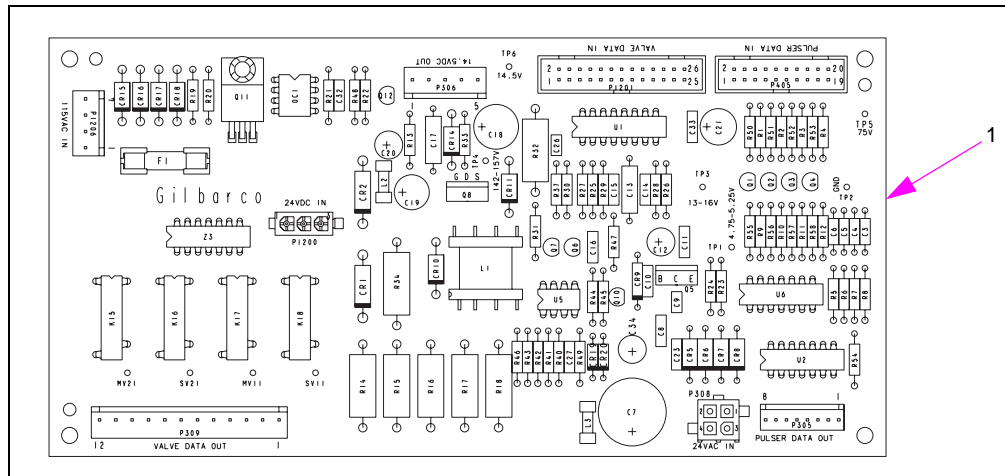
Item #	Part Description	Current Part	Previous Part	Quantity
1	Connector	M04379B002	-	1
2	Connector	M04379B003	-	1
3	Connector	M04379B004	-	1

PCA, Valve Converter



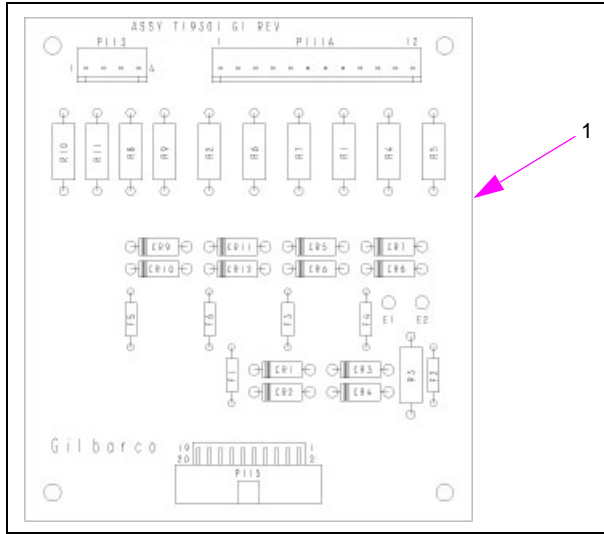
Item #	Part Description	Current Part	Previous Part	Quantity
1	PCA, Valve Converter	M14613A001	M02044A001 M02044A003	1

PCA, Ultra-Hi Interface



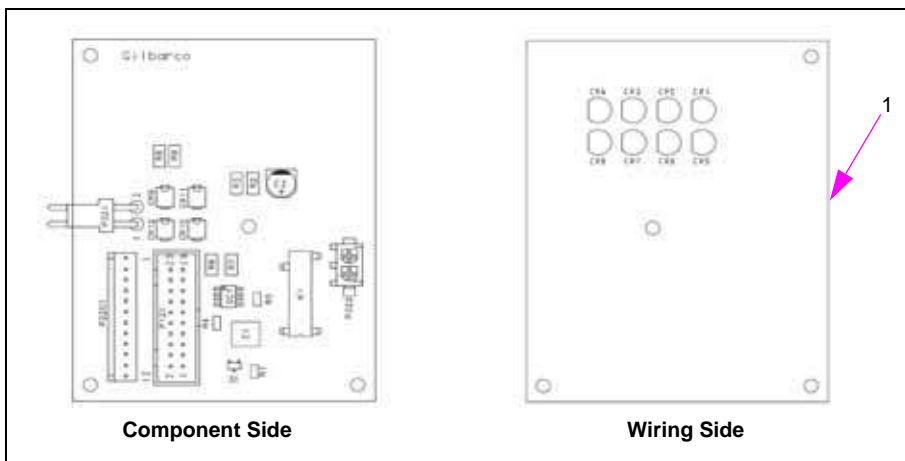
Item #	Part Description	Current Part	Previous Part	Quantity
1	PCA, Ultra-Hi Interface	M08233A001	M03615A002	1

PCA, I.S. Barrier



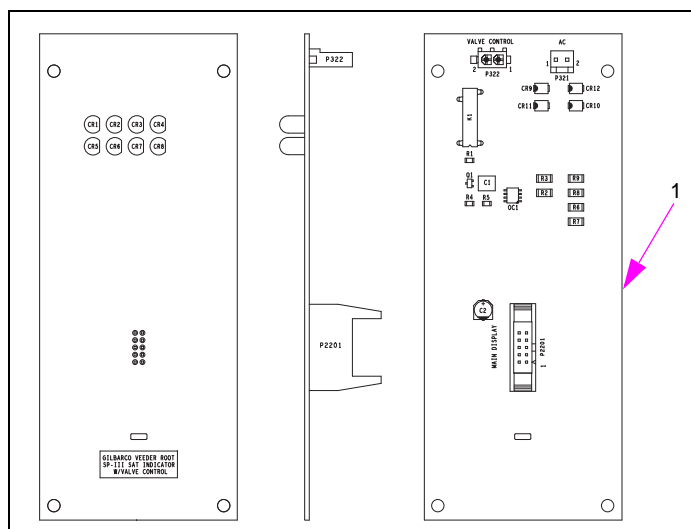
Item #	Part Description	Current Part	Previous Part	Quantity
1	PCA, Intrinsic Safety (I.S.) Barrier	T19301-G1	-	1

PCA, Satellite Indicator with Valve Control



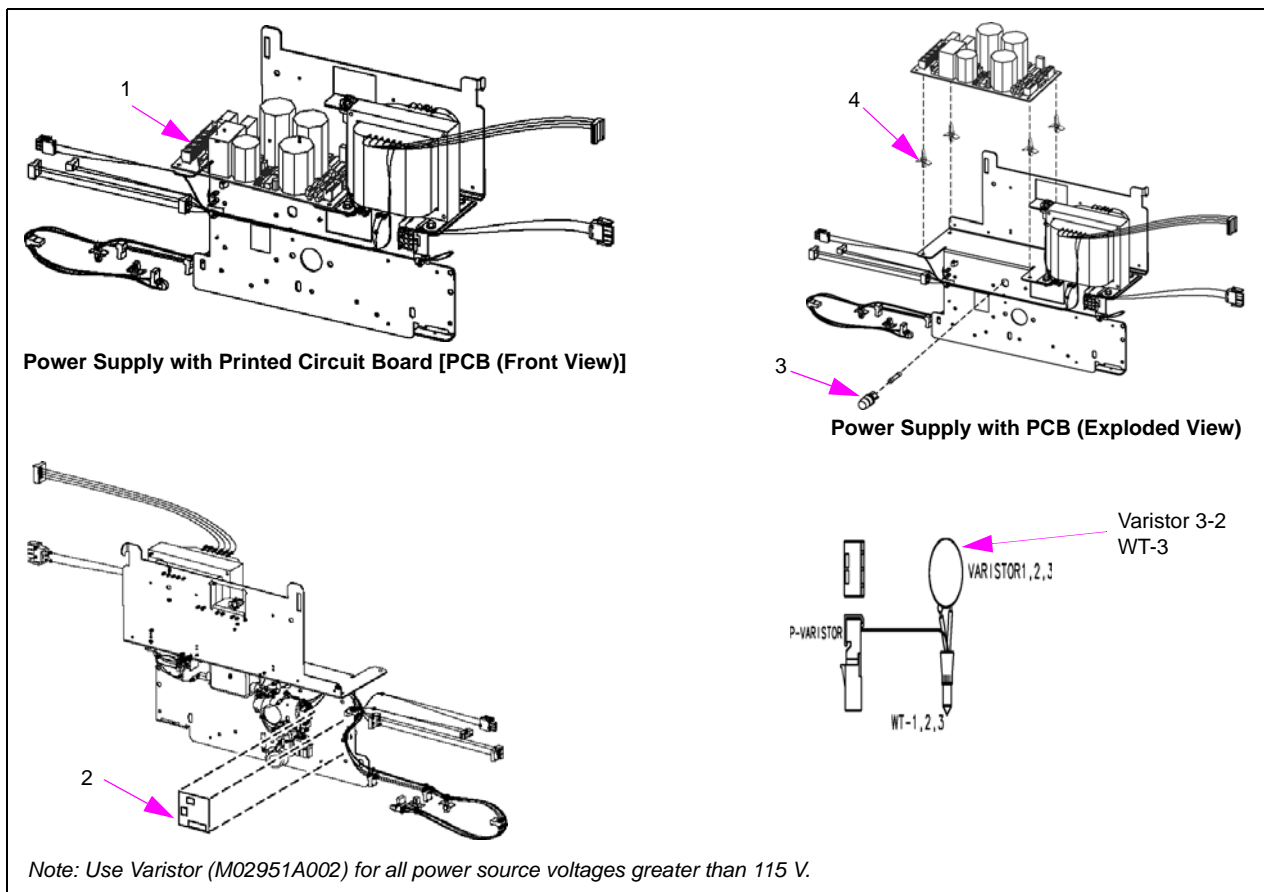
Item #	Part Description	Current Part	Previous Part	Quantity
1	PCA, Satellite Indicator with Valve Control	M04570A001	M04202A001	1

PCA, Sandpiper (SP) III Satellite Indicator with Valve Control



Item #	Part Description	Current Part	Previous Part	Quantity
1	PCA, SP III Satellite Indicator with Valve Control	M12985A001	-	1

Main Power Supply Assembly (M02274A001)

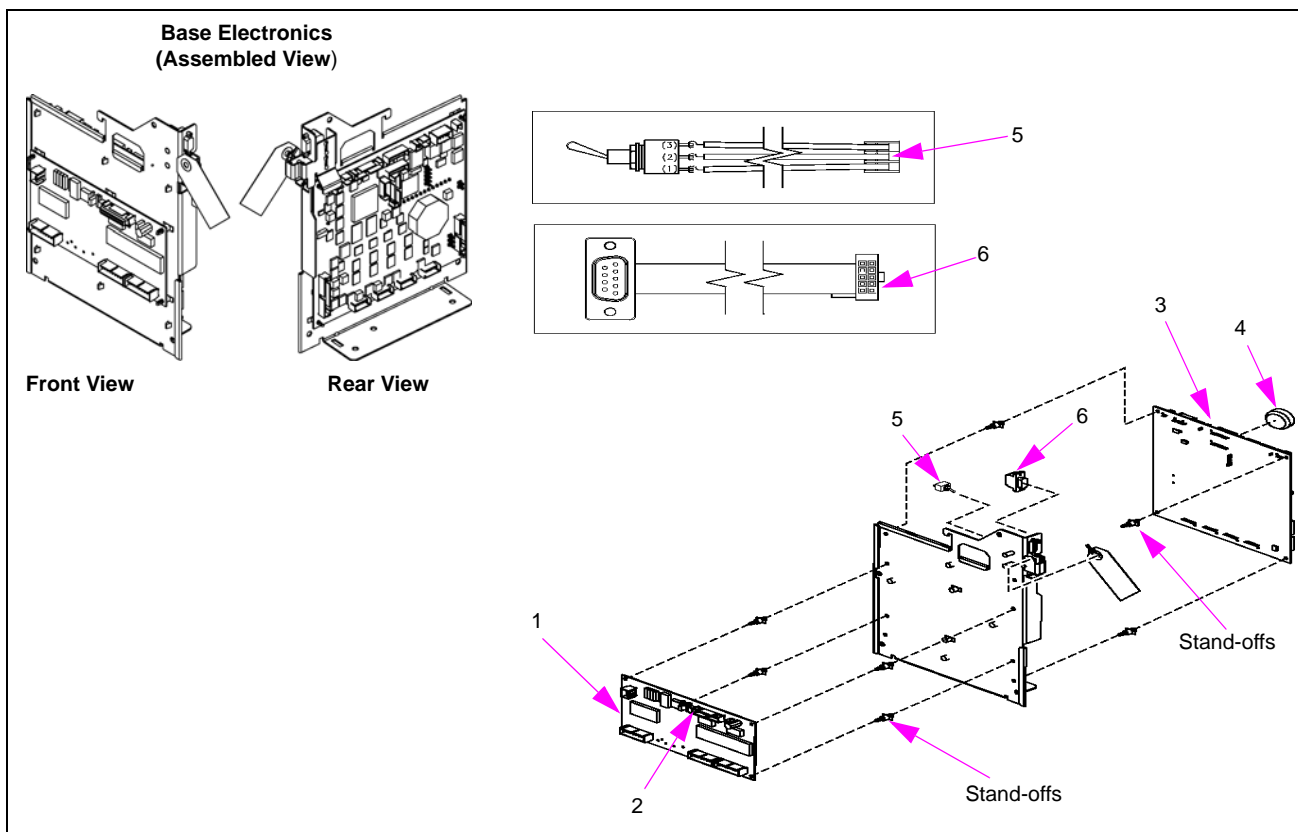


Item #	Part Description	Current Part	Previous Part	Quantity
Main Power Supply Assembly (see note 1)		M02274A001	-	1
1	Encore Power Supply PCB (see notes 2 and 3)	M02774A001	-	1
2	PCA Submersible Turbine Pump [STP (see notes 2 and 3)]	M00047A001	-	1
3	Fuse, 5 A, 250 V	Q10131-04	-	1
4	Plastic PCB Stand-off, 1/4"	Q10651-02	-	(see note 4)

Notes:

1. This assembly went into effect on August 29, 2002. This assembly replaced Main Power Supply M00458 series. When replacing a Power Supply M00458, other parts are required. Kit M00016K003 contains a Power Supply M02274 and all the components required to upgrade the power supply. M00458 **cannot** be replaced directly by M02274 without this kit.
2. Until August 29, 2002, pump uses power supply without STP Board (M00047A001). Dispenser uses Power Supply without M02774A001 Board.
3. After August 29, 2002, pump uses power supply with M02774A001 Board. Dispenser uses power supply with STP Board (M00047A001) and M02774A001 Board.
4. Quantity as required per part or assembly.

Base Electronics Assembly (M02278A001) (Before May 20, 2003)

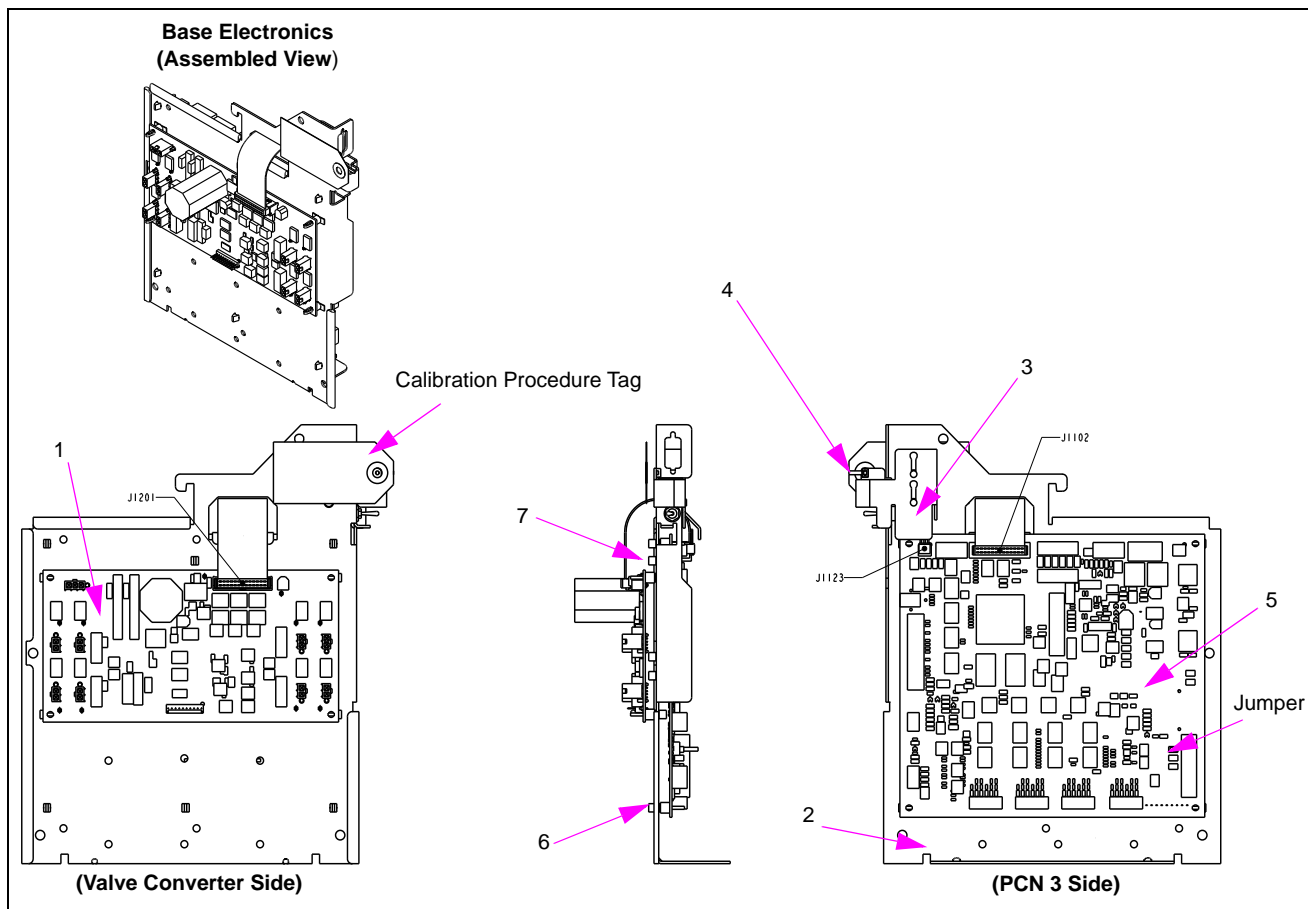


Item #	Part Description	Current Part	Previous Part	Quantity
Base Electronics Assembly (Reference only) (see note 1)		M02278A001	M02278A002	1
1	PCA Valve Board 18 Coils (see note 2)	M00059A001	-	1
	• Plastic PCB Stand-off, 1/4"	Q10651-09	-	4
	• Plastic PCB Spacer, 1/4"	Q10651-09	-	2
2	Cable Ribbon 26 Position (see note 3)	-	-	1
3	PCA Pump Control Node (PCN) 2	M01922A004	-	1
	• Plastic PCB Stand-off, 1/4"	Q10651-02	-	4
	• Plastic PCB Spacer, 1/4"	Q10651-02	-	4
4	Battery, Lithium/Non-Chg.	Q12674-01	-	1
5	E-CAL Cable Switch (see note 3)	-	-	1
6	Cable Serial Programming (see note 3)	-	-	1

Notes:

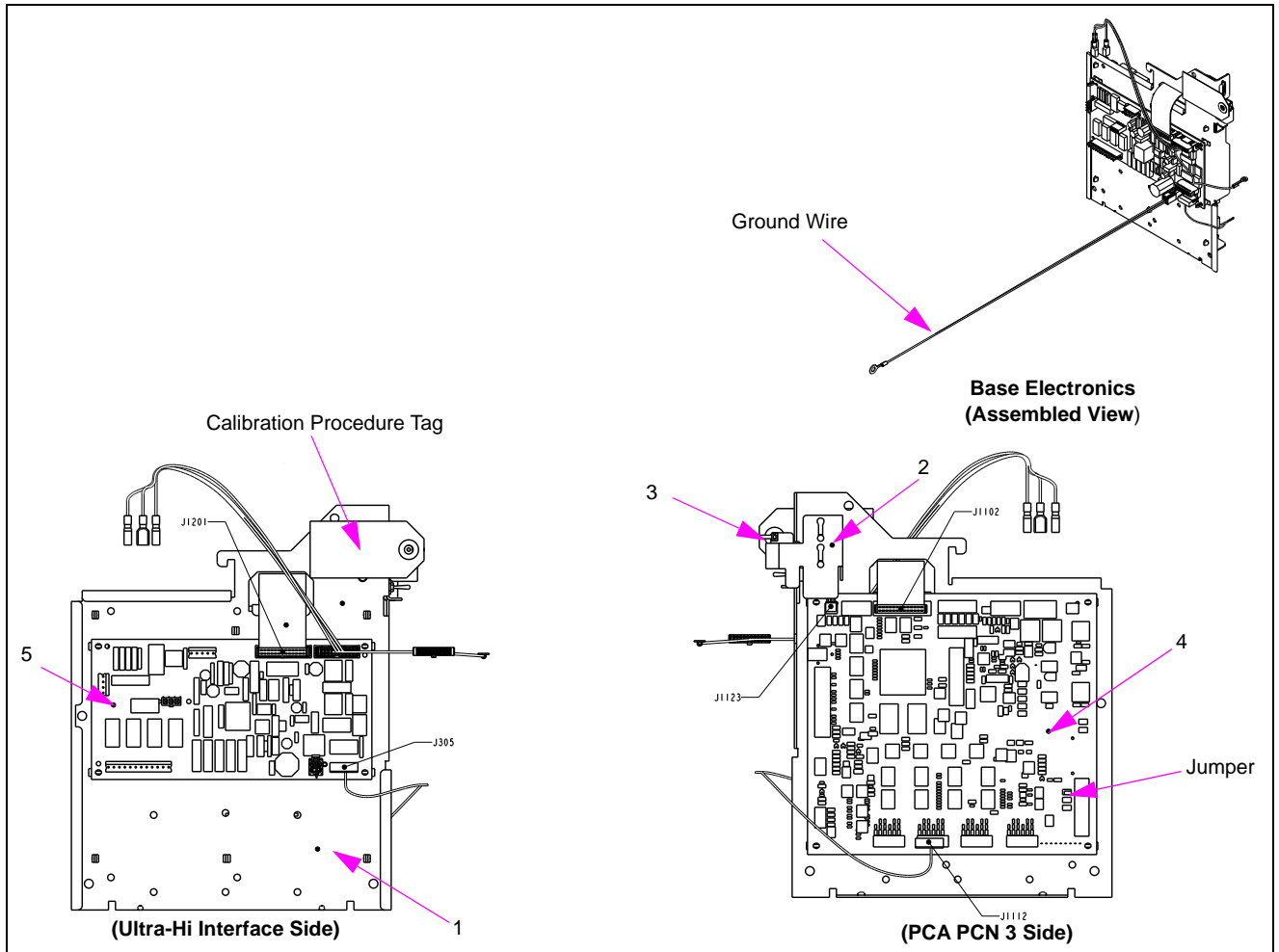
1. M02278 was replaced by M03001 series. M03001 was replaced by M13413A001 and M13413A004. For more information, refer to "Base Electronics Assembly (M13413A001)" on page 3-10 and "Base Electronics Assembly (M13413A004)" on page 3-11.
2. A 12-coil version of this board exists but only the 18-coil version shown will be spared. This 18-coil board is interchangeable with the 12-coil board.
3. For more information, refer to "Cable Assemblies (Encore 500/550/S/Ultra-Hi)" on page 6-1.

Base Electronics Assembly (M13413A001)



Item #	Part Description	Current Part	Previous Part	Quantity
Base Electronics Assembly (Encore 500)		M13413A001	-	1
1	PCA Valve Converter	M14613A001	M02044A003	1
2	Bracket Base Electronics Assembly	M00154A005	-	1
3	E-CAL Switch Cover Bracket	M00158B004	-	1
4	Cable Tie	Q10178-01	-	1
5	PCA PCN 3	M12702A001	-	1
6	Circuit Board Support	Q10651-02	-	8
7	Circuit Board Support	Q10651-09	-	6
Not Shown				
-	E-CAL Cable Switch (see note)	-	-	1
-	Cable Ribbon 26 Position (see note)	-	-	1
Note: For more information, refer to "Cable Assemblies (Encore 500/550/S/Ultra-Hi)" on page 6-1.				

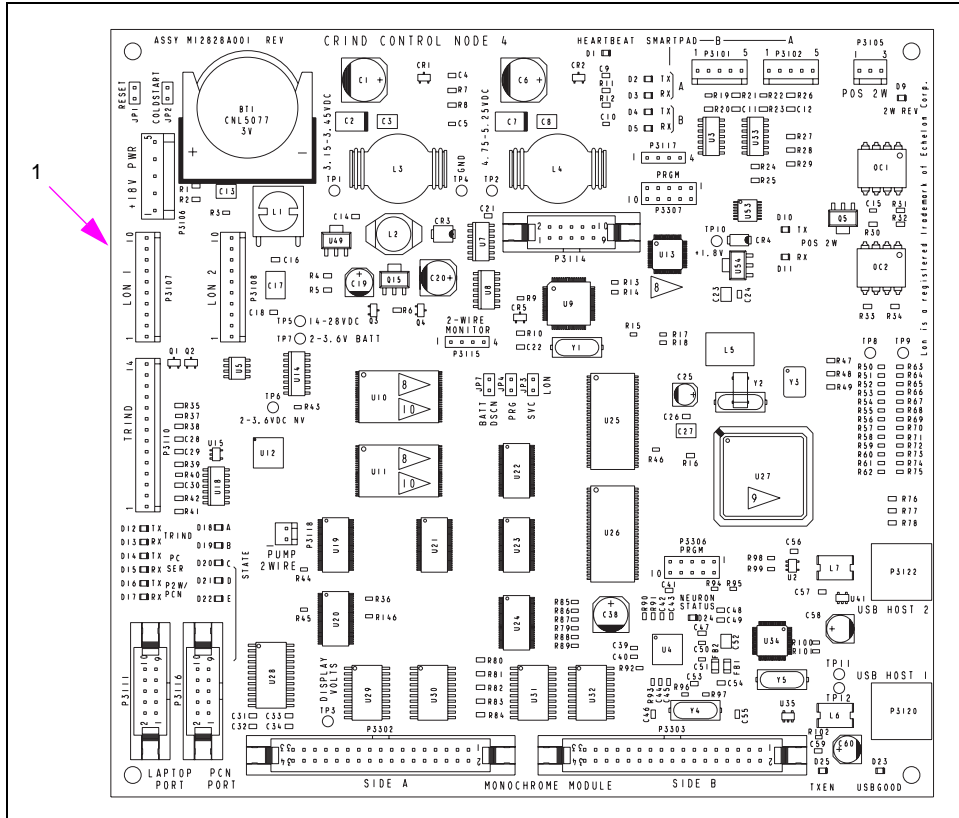
Base Electronics Assembly (M13413A004)



Item #	Part Description	Current Part	Previous Part	Quantity
Base Electronics Assembly (Encore 500 Ultra-Hi)		M13413A004		
1	Bracket Base Electronics Assembly	M00154A005	-	1
2	E-CAL Switch Cover Bracket	M00158B004		1
3	Cable-tie	Q10178-01	-	1
4	PCA (PCN) 3	M12702A001	-	1
5	PCA, Ultra-Hi Interface	M08223A001	-	1
Not Shown				
-	E-CAL Cable Switch (see note)	-	-	1
-	Cable Ribbon 26 Position (see note)	-	-	1
-	Cable, Main DC (see note)	-	-	1
-	Cable, Ultra-Hi Pulser (see note)	-	-	1
-	Circuit Board Support	Q10651-02	-	8
-	Circuit Board Support	Q10651-09	-	6
Note: For more information, refer to "Cable Assemblies (Encore 500/550/S/Ultra-Hi)" on page 6-1.				

SP III Monochrome CRIND Assembly

PCA CRIND Control Node (CCN) 4

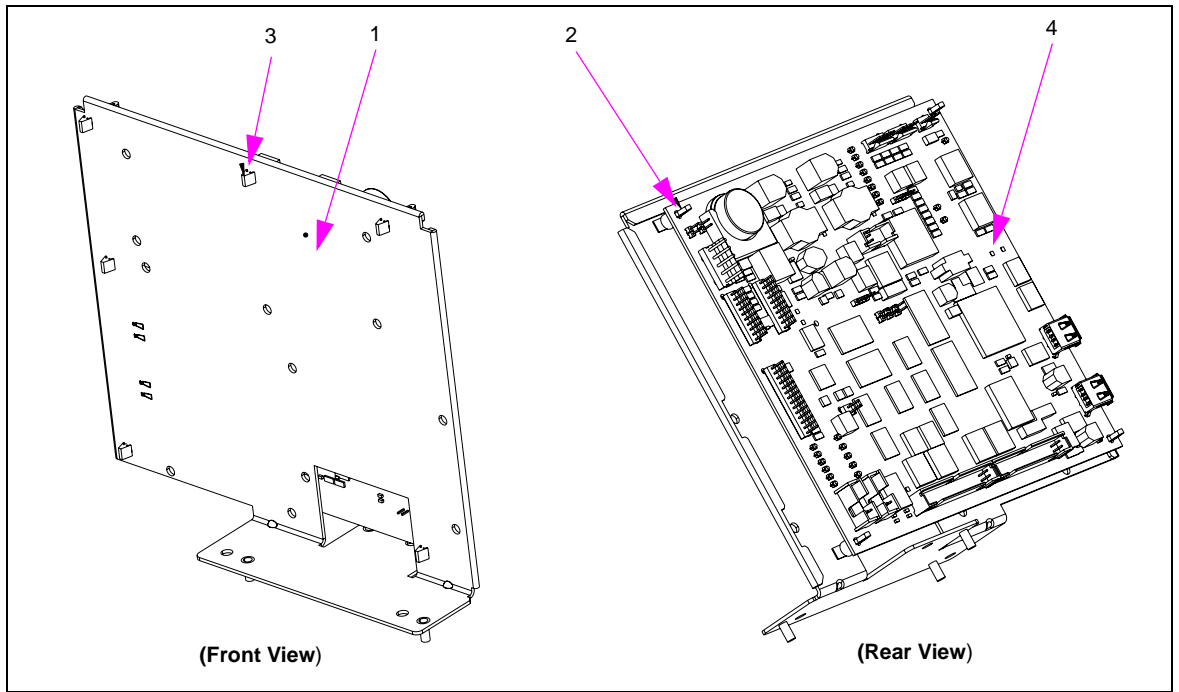


Item #	Part Description	Current Part	Previous Part	Quantity
	SP III Monochrome CRIND Assembly (Reference only)	M14130A001	M02276A003	1
1	PCA CCN 4, Encore SP III (see notes 1, 2 and 3)	M12828A001	M04108A003 M04108A001 M01753A001	1

Notes:

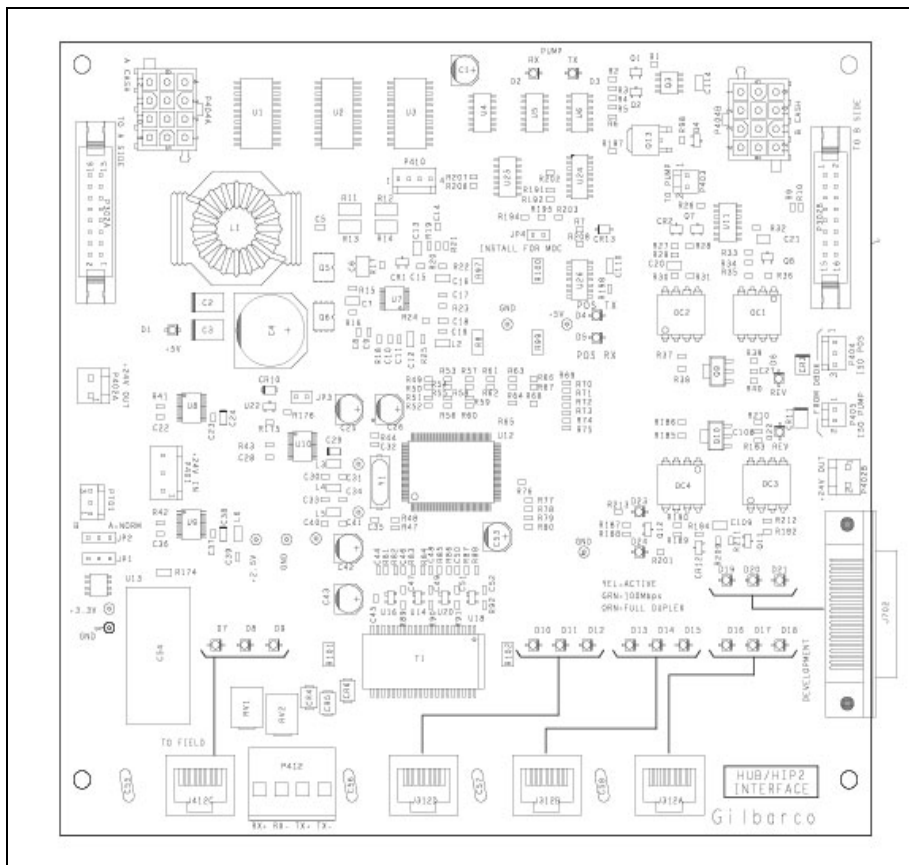
1. M04108A003 is backward compatible and required to use Printer Assembly (M04119A001).
2. M01753 is forward compatible with M04489K004 Kit to be used with M04119A001.
3. M04108A003 was replaced by M04108A004. M04108A004 was replaced by M12828A001.

Monochrome CRIND Assembly (M02276A002)



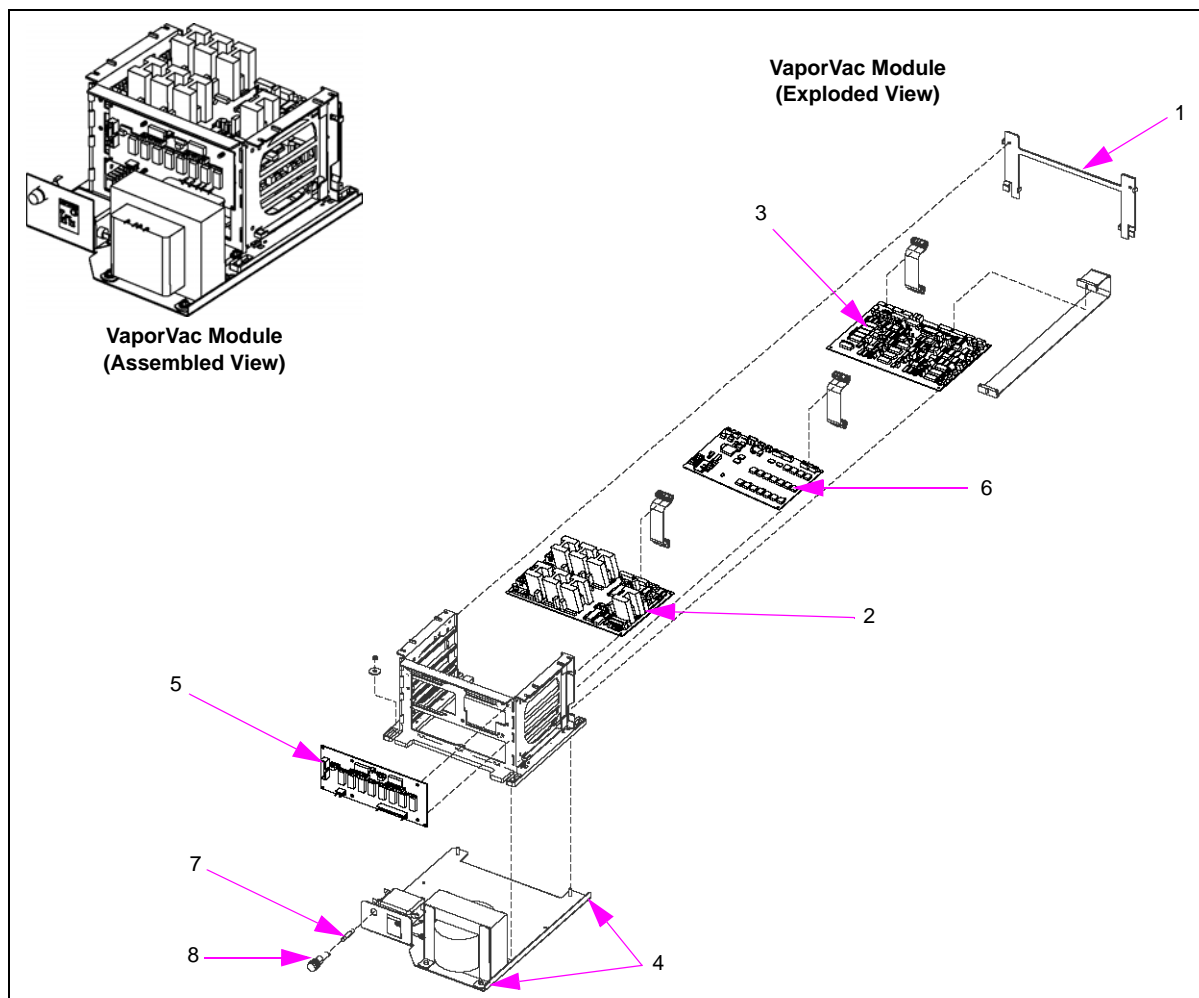
Item #	Part Description	Current Part	Previous Part	Quantity
	Monochrome CRIND Assembly (Reference only) (see note 1)	M14130A002	M02276A002	1
1	Bracket Monochrome PCB Mounting	M13211A002	M13211A001 M00291A001	1
2	Circuit Board Support	Q10651-02	-	4
3	Circuit Board Support	Q10651-09	-	2
4	PCA, CCN 3 (see note 2)	M12828A001	M04108A003 M04108A001	1
Notes: 1. M02276A002 is obsolete and replaced by M14130A002. 2. M04108A003 was replaced by M04108A004. M04108A004 was replaced by M12828A001.				

PCA, Hub Interface Board (HIP 2)



Item #	Part Description	Current Part	Previous Part	Quantity
1	PCA, Hub Interface Board, HIP 2	M12760A001	M07895A001	-

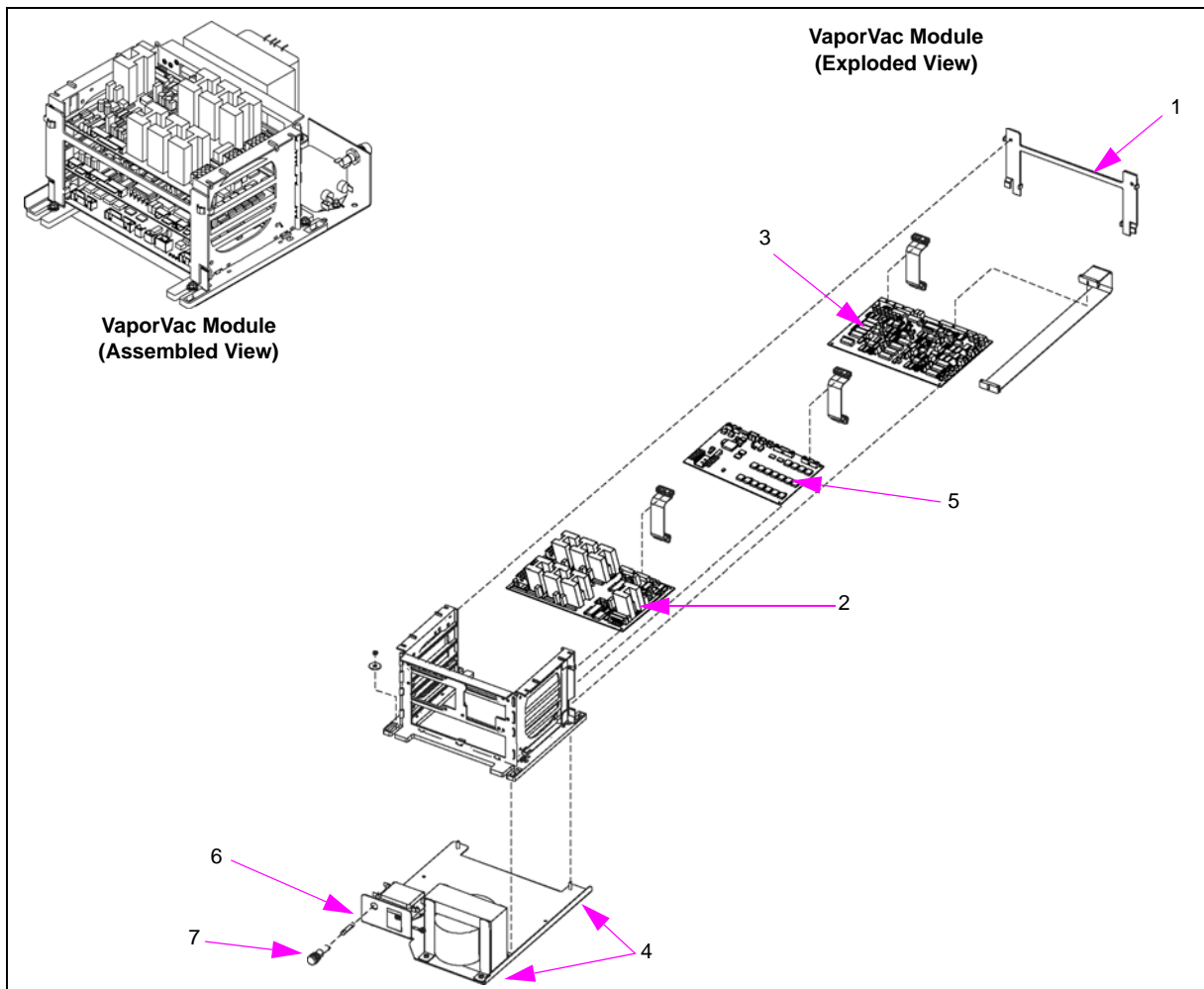
VaporVac® Module Assembly (M01776A001)



Item #	Part Description	Current Part	Previous Part	Quantity
	VaporVac Module Assembly [Vapor Valves (Reference only)] (see note)	M01776A003	M01776A001	1
1	Card Cage Front Bracket	T20361-05	-	1
2	PCA, Motor Drive Assembly	T18018-G2	T18018-G1	1
3	VaporVac Controller PCA Assembly	T19401-G3	T19401-G2	1
4	VaporVac Power Supply Assembly	M01775A001	-	1
	• Nut, Hexagonal Metric with External Lockwasher	-	-	4
5	Valve Driver PCB Assembly	T18015-G1	-	1
	• Plastic PCB Stand-off, 1/4"	-	-	4
6	PCA, VaporVac Interface	M00080A001	M0080	1
7	Fuse, 7 A, 250 V	Q10131-22	-	1
8	Fuse Holder	Q11781-01	-	1

Note: VaporVac Module Assembly (M01776A001) is replaced by M01776A003. For more information, refer to "VaporVac Module Electronics Assembly (M01776A003)" on page 3-16.

VaporVac Module Electronics Assembly (M01776A003)



Item #	Part Description	Current Part	Previous Part	Quantity
	VaporVac Module Electronics Assembly [Without Vapor Valves (Reference only)]	M01776A003	-	1
1	Card Cage Front Bracket	T20361-05	-	1
2	PCA, Motor, Drive Assembly	T18018-G1	-	1
3	VaporVac Controller PCA Assembly	T19401-G2	-	1
4	VaporVac Power Supply Assembly	M01775A001	-	1
	• Nut, Hexagonal Metric with External Lockwasher	-	-	4
5	VaporVac Interface PCA	M00080A001	-	1
	• Plastic PCB, 1/4"	Q10651-02	-	4
6	Fuse, 7 A, 250 V	Q10131-22	-	1
7	Fuse Holder	Q11781-01	-	1